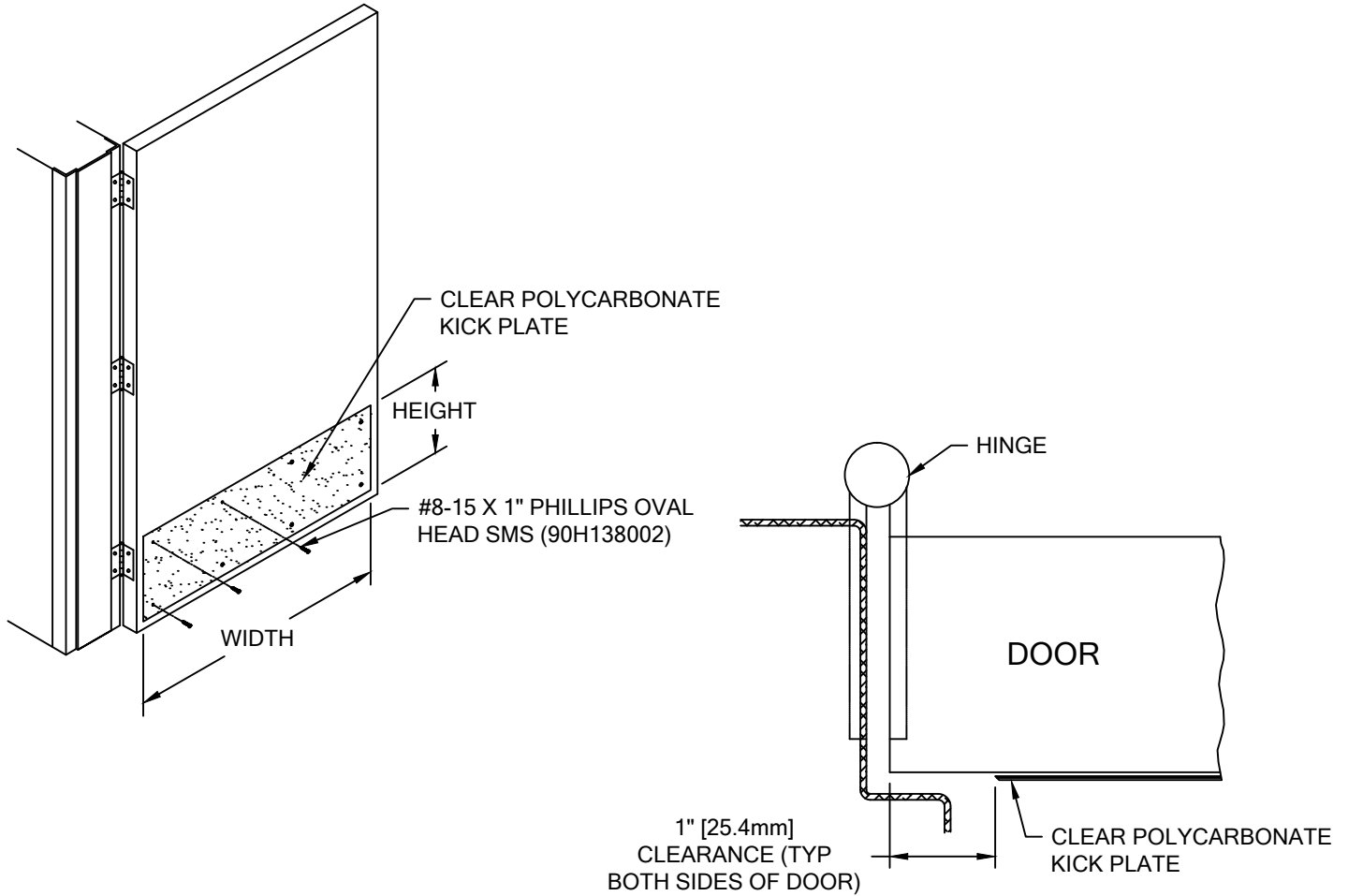


NOTES:


1. LEXAN KICK PLATES ARE SUPPLIED STANDARD WITH BEVELED EDGES AND PRE-DRILLED HOLES.
2. LEXAN KICK PLATES ARE .060" THICK.

UNITS REQ'D	HEIGHT	WIDTH



KICK PLATES LEXAN

CONDITION	SPECIFIED FASTENER	DRILL DIAMETERS	C/S PART NUMBER
		DOOR	
WOOD & METAL DOORS	#8-15 X 1" PHILLIPS OVAL HEAD SHEET METAL SCREW	N/A	90H138002

 <p>Construction Specialties™ 6696 Route 405 Highway, Muncy PA 17756 (800) 233-8493 • Fax (570) 546-4692 • www.c-sgroup.com</p>	PROJECT:	REVISION:
	JOB NO.:	F&F:
	CUSTOMER:	
	REP:	DATE:
	DRAWN BY:	SHEET NO: