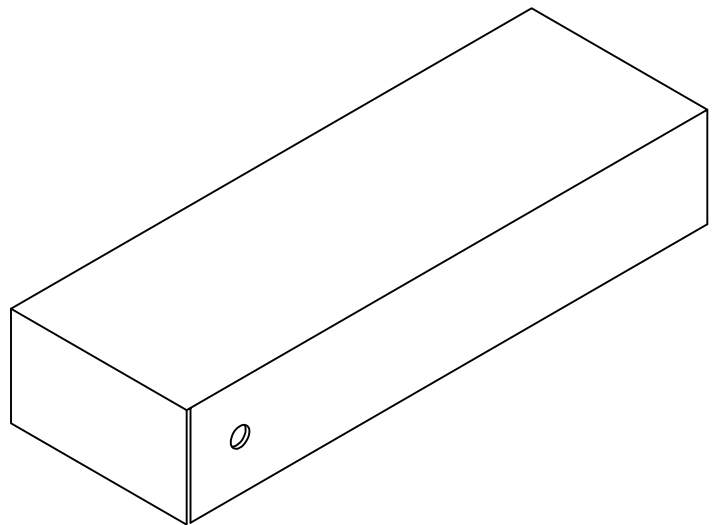
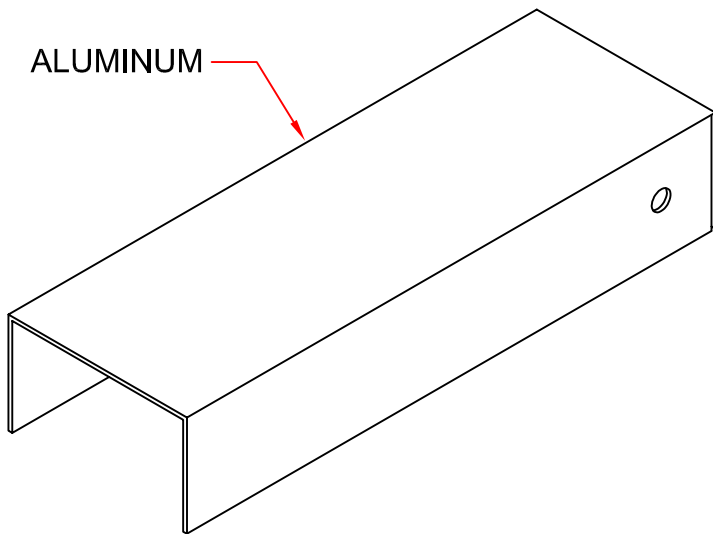
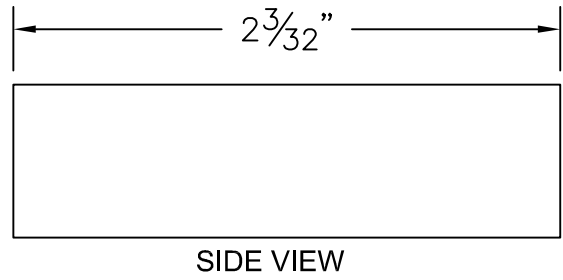
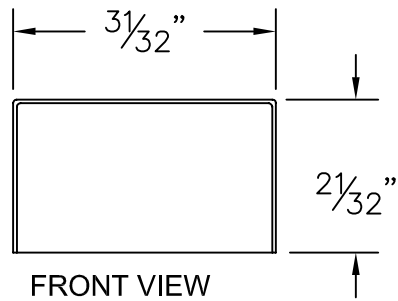
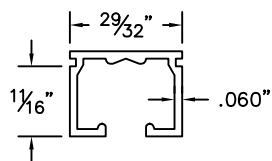
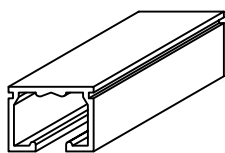


CARRIER STOP



NL6062 NARROWLINE TRACK



DRAWING BY: CDL

DATE: 10/5/2016

CS™ Cubicle Curtains