

FRW-225 FEATURE RAIL

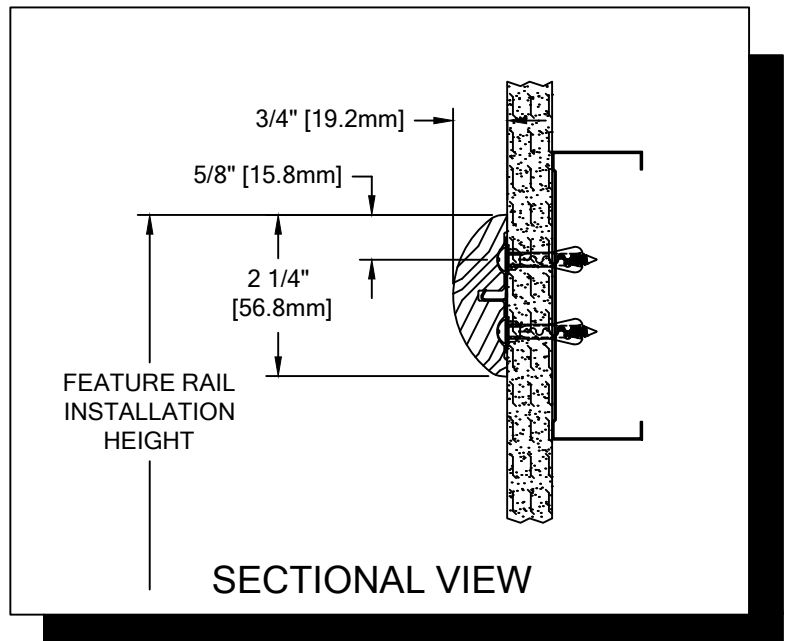
PLEASE READ

PLEASE READ THESE INSTRUCTIONS THOROUGHLY PRIOR TO BEGINNING THE FRW-225 FEATURE RAIL INSTALLATION!

THIS INSTRUCTION SHEET IS INTENDED TO PROVIDE A SPECIFIC GUIDE TO FOLLOW FOR THE INSTALLATION OF THIS FRW-225 FEATURE RAIL. CONTAINED WITHIN IS THE TECHNICAL INFORMATION AND INSTALLATION TECHNIQUES REQUIRED TO COMPLETE AN EFFICIENT, NEAT AND LONG-LASTING INSTALLATION.

INSPECT ALL MATERIALS FOR DAMAGE OR MISSING PARTS. IF YOU DISCOVER DAMAGED OR MISSING MATERIALS, IN THE USA PLEASE NOTIFY THE FACTORY AT (800) 233-8493, AND IN CANADA (888) 895-8955 FOR CUSTOMER SERVICE.

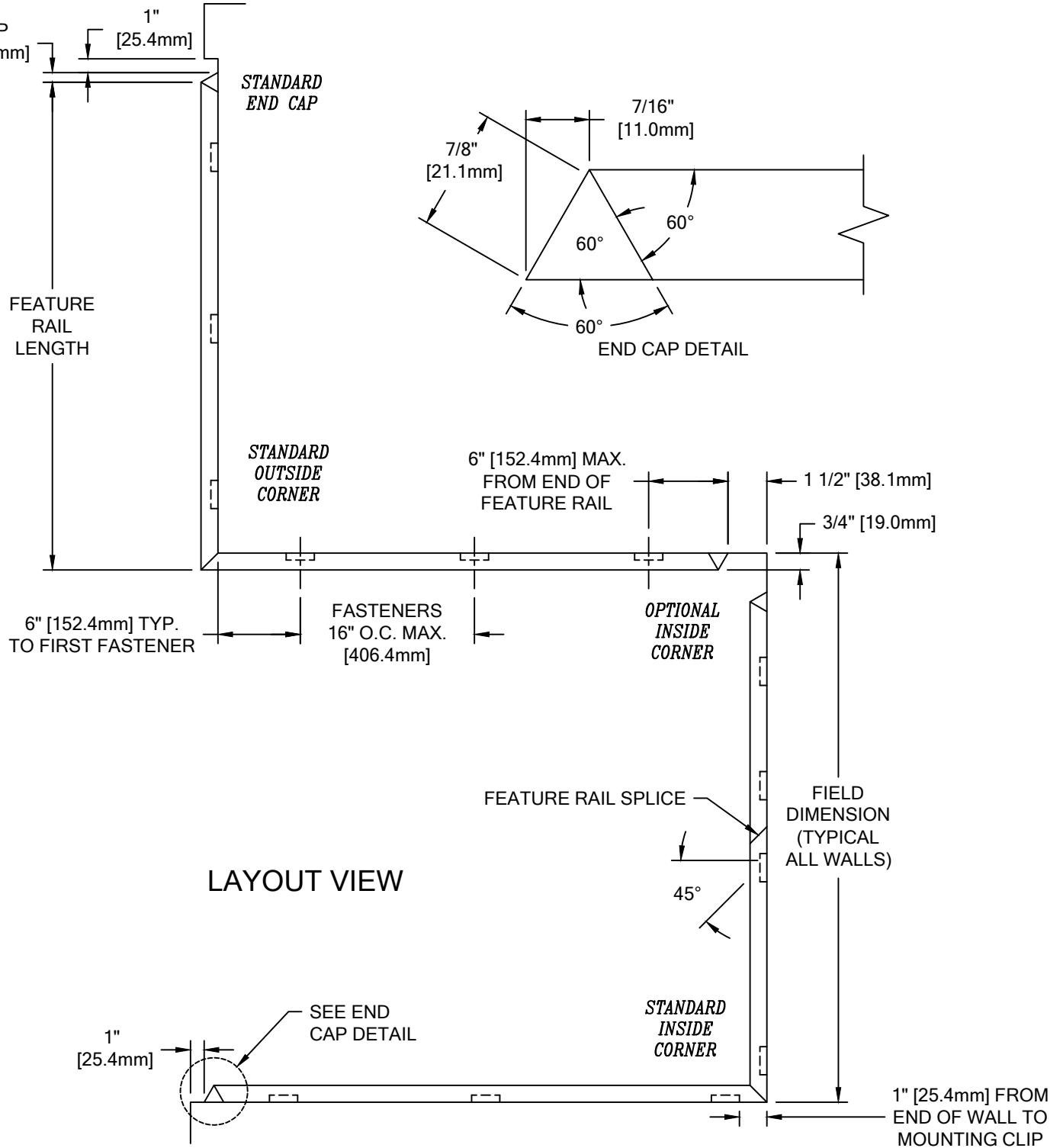
FRW-225 FEATURE RAIL MUST BE INSTALLED IN ACCORDANCE WITH THESE INSTRUCTIONS! FAILURE TO FOLLOW THESE INSTRUCTIONS MAY VOID ANY PRODUCT WARRANTIES AND RESULT IN AN UNSUCCESSFUL INSTALLATION. FOR SPECIFIC QUESTIONS REGARDING THE INSTALLATION OF THIS FRW-225 FEATURE RAIL PLEASE CALL THE FACTORY IN THE USA AT (800) 233-8493 OR EMAIL IWPTECHSUPPORT@C-SGROUP.COM. IN CANADA CALL (888) 895-8955.



IMPORTANT NOTES

1. DUE TO THE NATURE OF WOOD, COMPONENT COLORS MAY VARY. SORT WOOD COMPONENTS AND MATCH PARTS BY COLOR.
2. ALL LINEAL MATERIAL TO BE SUPPLIED IN STOCK LENGTHS. WOOD IN 7'-0" TO 12'-0" VARIABLE. THIS MATERIAL IS TO BE FIELD CUT USING QUALITY EQUIPMENT TO INSURE THAT ALL CUTS ARE SQUARE. WHEN CUTTING MATERIAL SECTIONS, CS RECOMMENDS USING AN 80-100 TOOTH CARBIDE TIPPED SAW BLADE OR EQUIVALENT, TO MINIMIZE CHIPPING AND MAINTAIN JOINT ALIGNMENT.
3. RADIAL MATERIAL MAY BE SUPPLIED FACTORY FORMED OR IN STRAIGHT LENGTHS FOR FIELD FORMING. CONSULT FACTORY FOR OPTIONS.
4. ALL DIMENSIONS ARE TYPICAL.
5. FOR DRYWALL/PLASTER WALL CONSTRUCTION, IT IS RECOMMENDED FOR FASTENERS TO BE ENGAGED INTO METAL/WOOD STUDS TO MAINTAIN MAXIMUM PULLOUT STRENGTH. IF DURING INSTALLATION YOU ENCOUNTER SPECIAL WALL CONDITIONS THAT DO NOT ALLOW FOR DIRECT ATTACHMENT TO THE STUDS PLEASE CONSULT THE LOCAL AUTHORITY HAVING JURISDICTION.
6. AF-6 PLASTIC ANCHORS SHOULD SEAT FLUSH WITH GYPSUM WALL.
7. MATERIAL MUST REACH 65°F MIN. TO 75°F MAX. 24 HOURS PRIOR TO INSTALLATION. THIS IS ESSENTIAL TO MINIMIZE EXPANSION AND CONTRACTION.
8. FEATURE RAIL SPLICE SHOULD NOT EXCEED 4" [101.6mm] DISTANCE FROM A WALL MOUNT CLIP.
9. TANGENT POINTS ON FACTORY FORMED RADIAL MATERIAL WILL BE MARKED APPROXIMATELY AND SHOULD BE CUT TO SUIT FIELD CONDITIONS.
10. END CAPS AND INSIDE/OUTSIDE CORNERS ARE TO BE FIELD MITERED.
11. SPLICES ARE TO BE CUT AT A 45-DEGREE ANGLE AS SHOWN IN THESE INSTRUCTIONS.
12. THIS FEATURE RAIL REQUIRES A MINIMUM OF 2 MOUNTING CLIPS PER UNIT. THE MINIMUM END CAP-TO-END CAP FEATURE RAIL LENGTH IS 4 1/8" [104.8mm].
13. FOR MORE INFORMATION ON FRW-225 FEATURE RAIL SEE OUR WEBSITE AT www.c-sgroup.com.

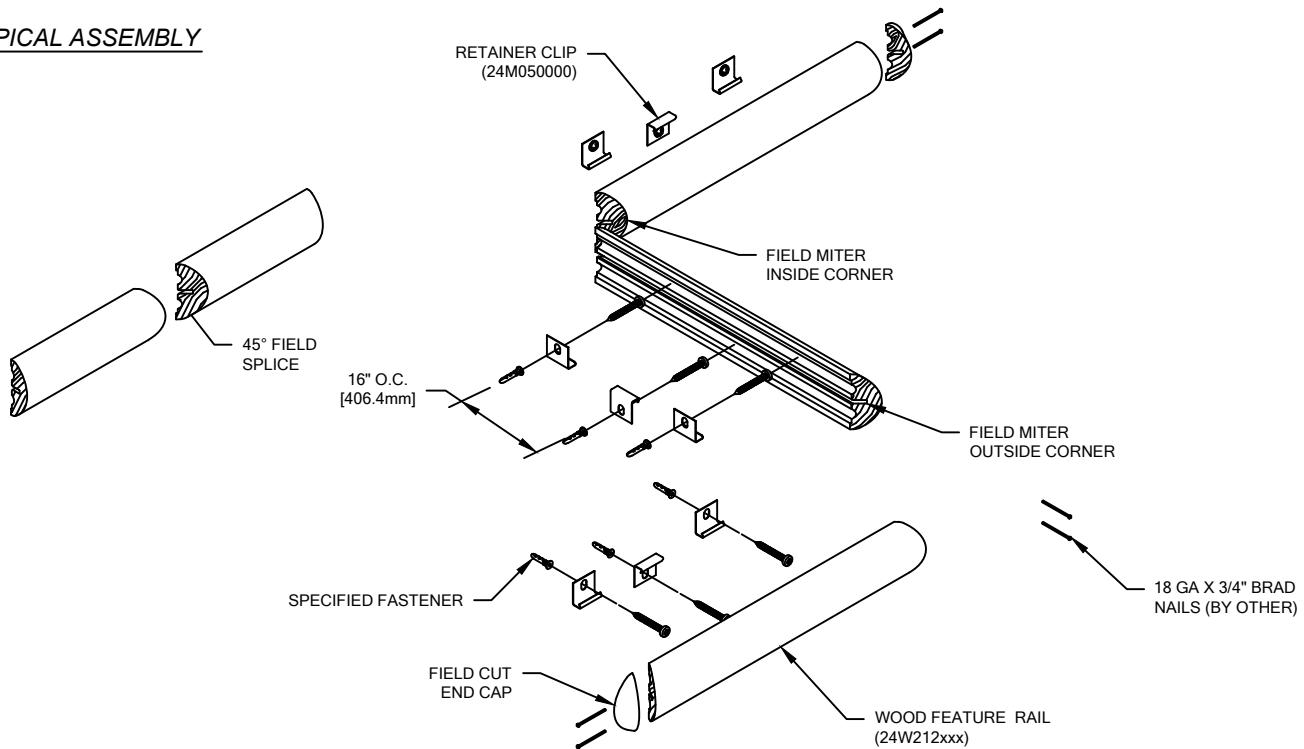
FRW-225 FEATURE RAIL



WALL CONDITION	SPECIFIED FASTENER	DRILL DIAMETERS		CS PART NUMBER
		WALL	RETAINER	
STEEL STUD/GYPSUM WALL	#10 X 1 1/2" PHILLIPS PAN HEAD SMS AF-6 PLASTIC ANCHORS	1/4"	N/A	90H189002 90H039004
CONCRETE/CONCRETE BLOCK	#10 X 1 1/2" PHILLIPS PAN HEAD SMS AF-6 PLASTIC ANCHORS	1/4"	N/A	90H189002 90H039004
WOOD STUD/GYPSUM WALL	# 6 X 1 5/8" BUGLE HEAD SELF-DRILLING SMS	N/A	N/A	90H079002
20 GA. MIN. STEEL STUD AND 20 GA. MIN. STEEL STRAPPING / GYPSUM WALL CONSTRUCTION REQUIRED (TEK SCREWS)	#6 PHILLIPS PAN HEAD BUGLE HEAD TEK SCREW	N/A	N/A	90H079002

FRW-225 FEATURE RAIL

TYPICAL ASSEMBLY



NOTE: INSTALLATION OF LINEAL OR RADIAL FRW-225 FEATURE RAIL SHOULD BE DONE IN ACCORDANCE WITH THE FOLLOWING INSTRUCTIONS.

1. ESTABLISH FEATURE RAIL HEIGHT ABOVE FINISH FLOOR. FROM THE TOP EDGE OF THE FEATURE RAIL DEDUCT 5/8" [15.9mm] AND 1 5/8" [41.3mm] AND SNAP A CHALK LINE AT THESE HEIGHTS. THIS MARKS THE LOCATION OF THE FASTENERS FOR THE RETAINER CLIPS.
2. DETERMINE WALL FASTENER LOCATIONS BY USING THE REQUIRED DEDUCTIONS (SEE LAYOUT VIEW) AND DRILL HOLE DIAMETER IN THE WALL FOR SPECIFIED WALL FASTENERS (REFERENCE CHART BELOW LAYOUT VIEW).

NOTE: IT IS RECOMMENDED THAT FEATURE RAIL BE CUT WITH AN 80-100 TOOTH CARBIDE TIPPED SAW BLADE OR EQUIVALENT.

3. INSTALL EACH RETAINER CLIP ONTO THE WALL (ALTERNATING UP AND DOWN, NOTE THE CLIP ORIENTATION ABOVE), IN SUCCESSION, USING THE APPROPRIATE FASTENERS. USE A LEVEL TO ENSURE RETAINER CLIPS ARE LEVEL.
4. DUE TO THE COLOR MATCH, END CAPS ARE TO BE CUT FROM THE SAME FEATURE RAIL SECTION. FIELD CUT THE END CAPS WITH 60-DEGREE CUTS ON BOTH ENDS. (SEE END CAP DETAIL ON PAGE 2)
5. ATTACH END CAPS TO THE FEATURE RAIL WITH WOOD GLUE (TITEBOND IS RECOMMENDED) AND TWO (2) 18 GA X 5/8" BRAD NAILS. FEATURE RAILS THAT INTERSECT AT INSIDE OR OUTSIDE CORNERS ARE TO BE JOINED IN THE SAME MANNER. WIPE OFF ANY EXCESS GLUE. USE THE CS SUPPLIED COLOR MATCHED FIL-STICK TO HIDE THE BRAD NAILS. EASE THE MITERED JOINT EDGE BY ADDING A SMALL BEVEL TO ELIMINATE SHARP EDGES. TOUCH UP SANDED EDGES WITH STAIN MARKER.

NOTE: ALL OUTSIDE CORNERS AND INSIDE CORNERS ARE TO BE FIELD MITERED. FOR INSIDE CORNER CONDITIONS A FILE MAY BE USED ON BACKSIDE OF FEATURE RAIL TO ACCOMMODATE ANY RADIUS INSTALLED IN DRYWALL.

NOTE: SPLICES SHOULD BE CUT AT A 45-DEGREE ANGLE, AS ILLUSTRATED. STAIN MARKER SHOULD BE APPLIED TO THE CUT SURFACES OF THE FEATURE RAIL BEFORE BEING MOUNTED ON THE WALL.

WARNING: BE SURE RETAINER CLIPS AND FEATURE RAIL ARE IN CORRECT LOCATION. ONCE FEATURE RAIL IS INSTALLED, IT WILL BE DIFFICULT TO REMOVE WITHOUT DAMAGING FEATURE RAIL, WALL AND/OR RETAINER CLIPS.

6. TO INSTALL FEATURE RAIL, BEGIN CLIPPING FEATURE RAIL TO WALL AT ONE END AND WORK YOUR WAY DOWN THE LENGTH OF THE RAIL. USE A SOFT RUBBER Mallet TO TAP THE FACE AT CLIP LOCATIONS TO SEAT THE FEATURE RAIL ONTO THE RETAINER CLIPS, BE CAREFUL NOT TO DAMAGE THE FEATURE RAIL. SEE SECTIONAL VIEW FOR ALIGNMENT. THOROUGHLY CLEAN FEATURE RAIL UPON COMPLETION OF INSTALLATION.

NOTE: WHEN FIELD FORMING RADIUS FEATURE RAIL, BE SURE TO APPLY NEEDED PRESSURE FROM CLIP TO CLIP.

02/03/2022