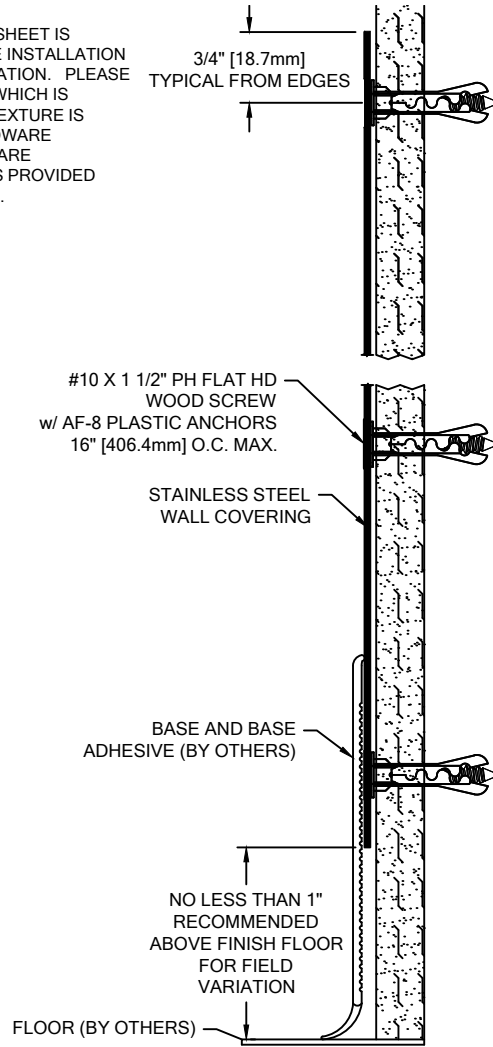


TEXTURE:
SMOOTH TEXTURE IS STANDARD. DIAMOND PLATE TEXTURE WITH MILL FINISH IS ALSO AVAILABLE.

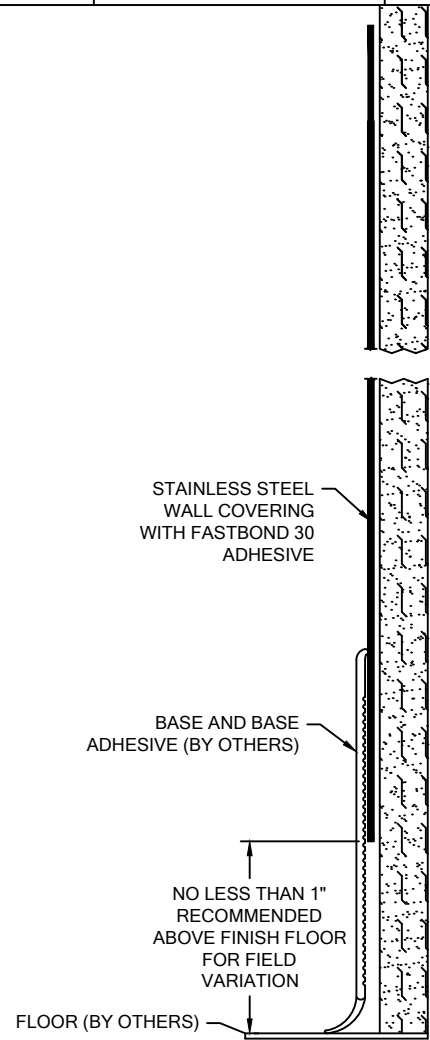
NOTES:

- STANDARD SHEET IS 304 ALLOY, 16 GAUGE STAINLESS STEEL WITH #4 SATIN FINISH
- STANDARD SHEET SIZES ARE 48" X 96" OR 48" X 120".
- SMOOTH STAINLESS STEEL SHEET IS AVAILABLE WITH HARDWARE INSTALLATION OR WITH ADHESIVE INSTALLATION. PLEASE ADVISE IN TABLE TO RIGHT WHICH IS DESIRED. DIAMOND PLATE TEXTURE IS ONLY AVAILABLE WITH HARDWARE INSTALLATION. FOR HARDWARE INSTALLATION, THE SHEET IS PROVIDED WITH COUNTERSUNK HOLES.

SIZE	INSTALLATION APPLICATION ³	QTY. REQ'D
48" X 96"		
48" X 120"		




HARDWARE INSTALLATION



ADHESIVE INSTALLATION

STAINLESS STEEL WALL COVERING

WALL CONDITION	SPECIFIED FASTENER	DRILL DIAMETERS		CS PART NUMBER
		WALL	RETAINER	
FOR HARDWARE INSTALLATION				
CONCRETE/CONCRETE BLOCK	#10 X 1 1/2" S/S PHILLIPS FLAT HEAD WOOD SCREW AF-8 PLASTIC ANCHORS	1/4"	N/A	90H009002 90H049004
STEEL STUD/GYPSUM WALL	#10 X 1 1/2" S/S PHILLIPS FLAT HEAD WOOD SCREW AF-8 PLASTIC ANCHORS	1/4"	N/A	90H009002 90H049004
WOOD STUD/GYPSUM WALL	#10 X 1 1/2" S/S PHILLIPS FLAT HEAD WOOD SCREW AF-8 PLASTIC ANCHORS	1/4"	N/A	90H009002 90H049004
FOR ADHESIVE INSTALLATION (SMOOTH SHEET ONLY)				
WALL CONDITION	SPECIFIED ADHESIVE	QUANTITY		CS PART NUMBER
GYPSUM WALL	FASTBOND 30 ADHESIVE	5 GALLON 1 GALLON 1 QUART		90M016001 90M014001 90M015001

 <p>Hughesville, PA 800.233.8493 570.546.5941 Mississauga, ON 888.895.8955 905.274.3611 www.c-sgroup.com</p> <p>© Copyright 2017 Construction Specialties, Inc.</p>	PROJECT:	REVISION:
	JOB NO.:	F&F:
	CUSTOMER:	
	REP:	DATE:
	DRAWN BY:	SHEET NO: