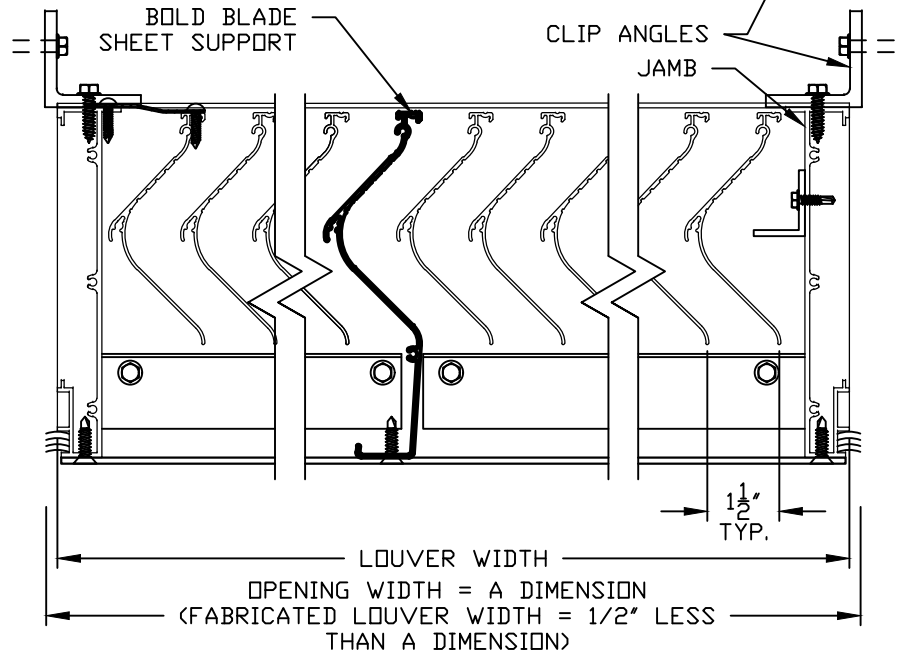


SECTION



PLAN

PL-5800

PROJECT: PL-5800
 TITLE: TYPICAL DETAIL
 SCALE: 3/4"=1'
 DRW BY: J BLAKE

REVISION:
 DATE: 6-21-2022
 SHEET: 1 OF 1
 DRW NO : RD-


Construction Specialties™
 3 WERNER WAY, LEBANON, NEW JERSEY
 PHONE: 1-800-233-8493