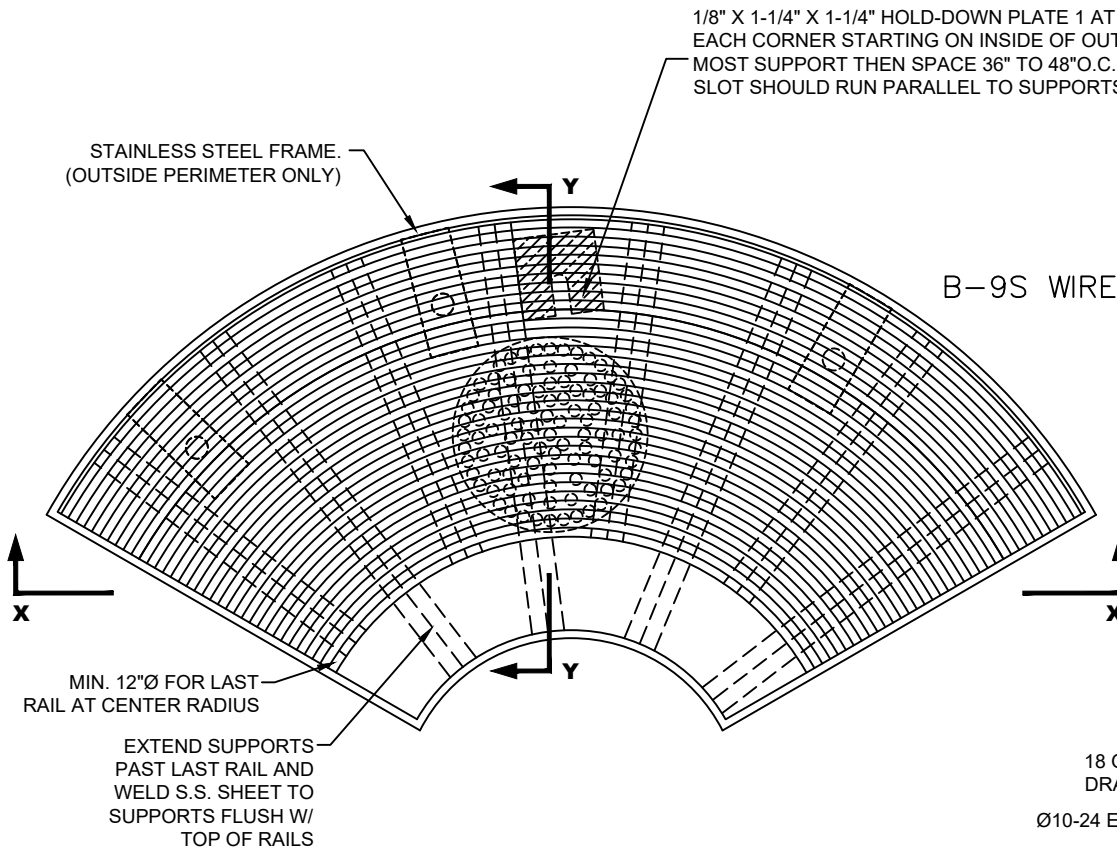
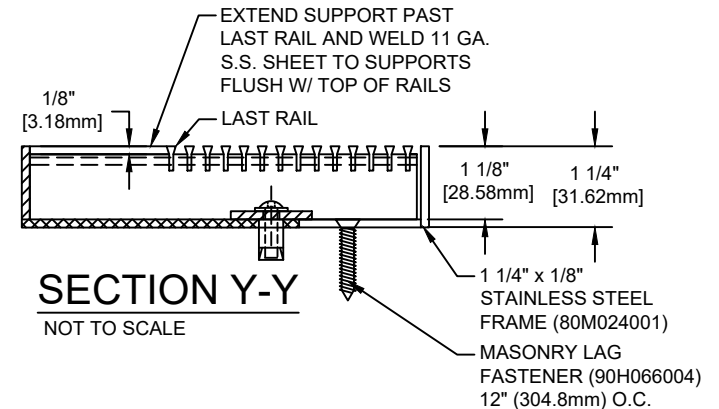


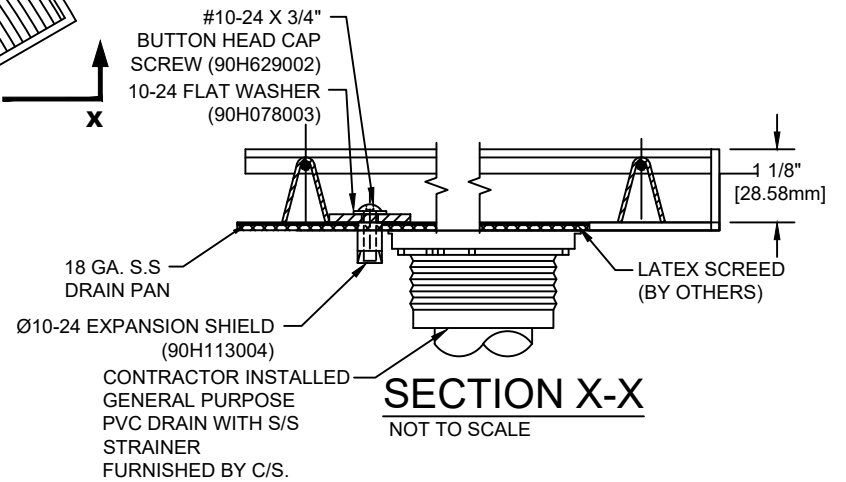
NO.	REVISION	DATE	BY
NO.	F&F RELEASE	DATE	BY



**TYPICAL MODULE PLAN VIEW**  
NOT TO SCALE



**SECTION Y-Y**  
NOT TO SCALE



**SECTION X-X**  
NOT TO SCALE

**NOTES:**

\*ALL SURFACE WIRES AND SUPPORT BARS ARE ELECTRONICALLY RESISTANCE WELDED TO ENSURE CORRECT WEIGHT BEARING PROPERTIES.

\*GRIDS SHALL BE ABLE TO SUPPORT A 500LB ROLLING LOAD.  
\* SURFACE WIRE SPACING PROVIDES A 57.7% EFFECTIVE OPEN AREA FOR DIRT AND MOISTURE REMOVAL.

**CS Construction Specialties**  
6696 Route 405 Highway, Muncy PA 17756  
(800) 233-8493 • Fax (570) 546-4692 • www.c-sgroup.com

PLEASE VERIFY ALL	QTY	MARK #	LOCATION	MODEL	DIM 'A' WIDTH	DIM 'B' LENGTH	REMARKS

PROJECT:		
LOCATION:		
CONTRACTOR:		
AGENT:		SHT:
DRG. BY:	DATE:	JOB NO.: