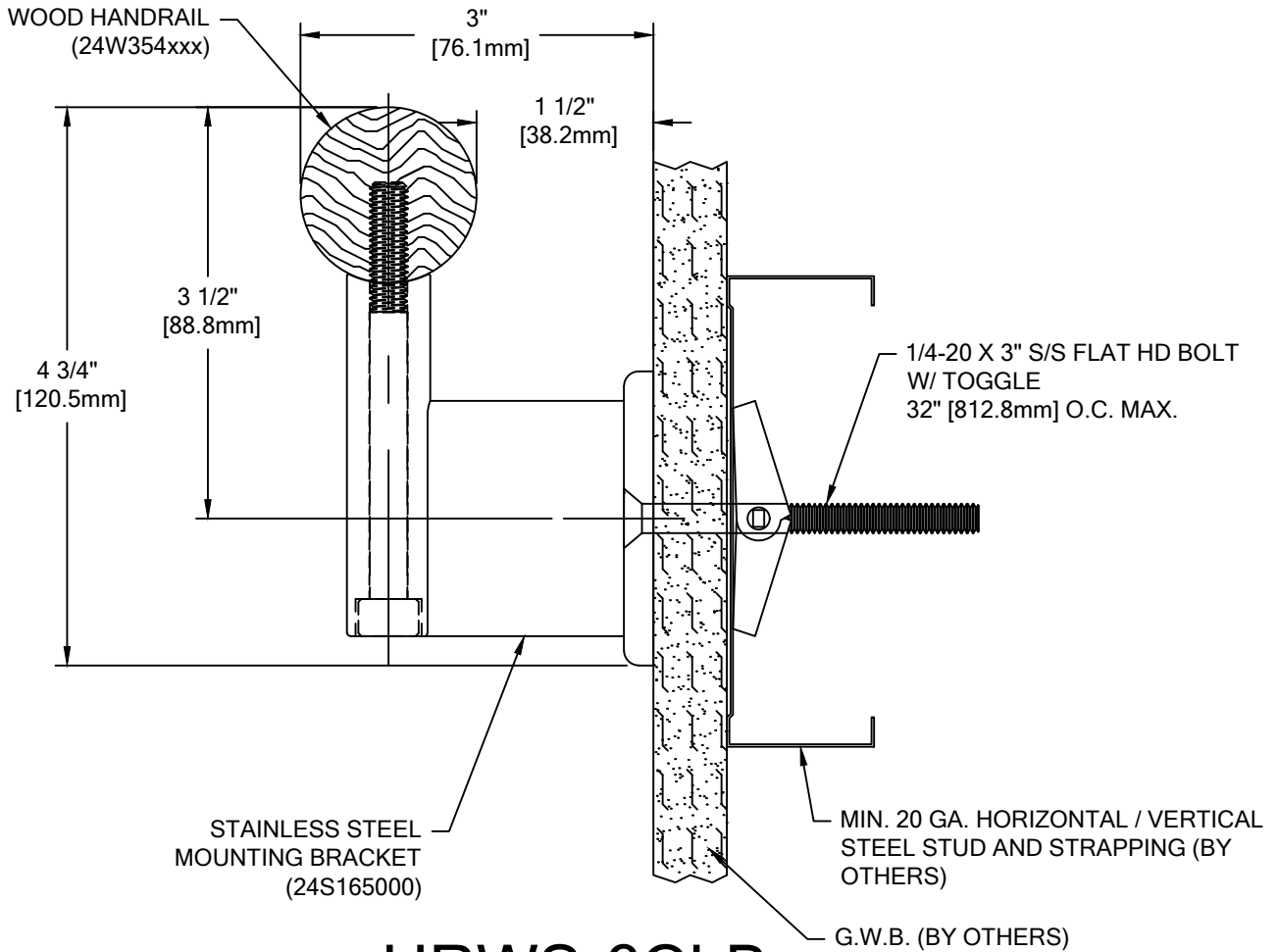


COLOR:
 TOP RAIL WOOD SPECIES: _____
 TOP RAIL WOOD FINISH: _____
 *END CAPS: _____
 COLOR TO BE SELECTED FROM ONE OF CS STANDARD COLORS.
 *CAPS/CORNERS ARE AVAILABLE WITH AN OPTIONAL POWDER COAT FINISH.
 PLEASE ADVISE POWDER COAT FINISH IF REQUIRED.
 WOOD END CAPS AND INSIDE/OUTSIDE CORNERS ALSO AVAILABLE.


NOTE: STAINLESS STEEL CORNERS OTHER THAN 90°
 ARE UNAVAILABLE FOR THIS MODEL. THIS MODEL IS
 FABRICATED CUT-TO-SIZE, THEREFORE FIELD
 VERIFIED DIMENSIONS ARE REQUIRED.

TOTAL L/F REQ'D	END CAPS	I.S.C. REQ'D	O.S.C. REQ'D



HRWS-6CLB

WALL CONDITION	SPECIFIED FASTENER	DRILL DIAMETERS		CS PART NUMBER
		WALL	RETAINER	
STEEL STUD/GYP SUM WALL	1/4-20 X 3" S/S FLAT HD BOLT WITH TOGGLE	3/4"	N/A	90H184002
CONCRETE/CONC. BLOCK	1/4" X 1 3/4" S/S FLAT HEAD MASONRY ANCHOR	3/16"	N/A	90H390000
WOOD STUD/GYP SUM WALL	#14 X 3" S/S PHILLIPS FLAT HEAD WOOD SCREW	7/32"	N/A	90H538004
20 GA. STEEL STUD/GYP SUM WALL (OSHPD)	1/4-20 X 3" S/S FLAT HEAD BOLT 1/4" TOGGLER WING 3M MOLDABLE FIRE PUTTY	1/2"	N/A	90H063002 90H062004 90M012000

 <p>Hughesville, PA 800.233.8493 570.546.5941 Mississauga, ON 888.895.8955 905.274.3611 www.c-sgroup.com</p> <p>© Copyright 2019 Construction Specialties, Inc.</p>	PROJECT:	REVISION:
	JOB NO.:	F&F:
	CUSTOMER:	
	REP:	DATE:
	DRAWN BY:	SHEET NO: