

SSR & SSRW 500-2400

TECHNICAL DATA:

Aluminum

- Extrusion – CS uses multiple alloys & tempers which are established to be the most appropriate for the given use of individual parts. Will be one of the following: (6063-T5, T6, T52) (6061-T5, T6, T51) (6105-T5, T6) (6005-T5) (6005A-T5, T61), ASTM B221

Turnbar

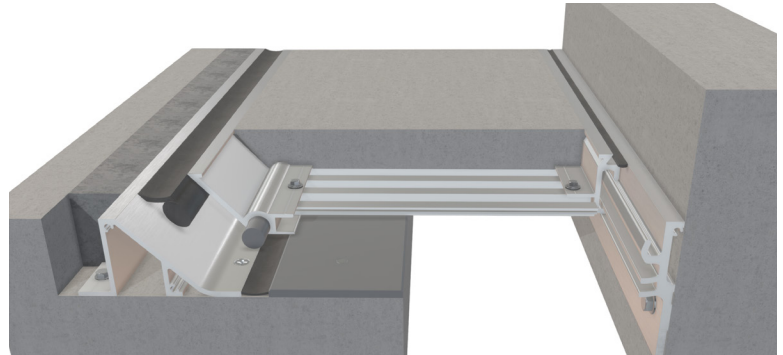
- Aluminum bar assembly 500-700
- Steel channel assembly 800-2400, Cast Stainless Steel Ends
- Type 304 ASTM A167, A240A, A240M

Standard Loading

- 500 lbs.

Center Pan

- 1½" depth
- Pan accepts flooring material up to 1½" thick



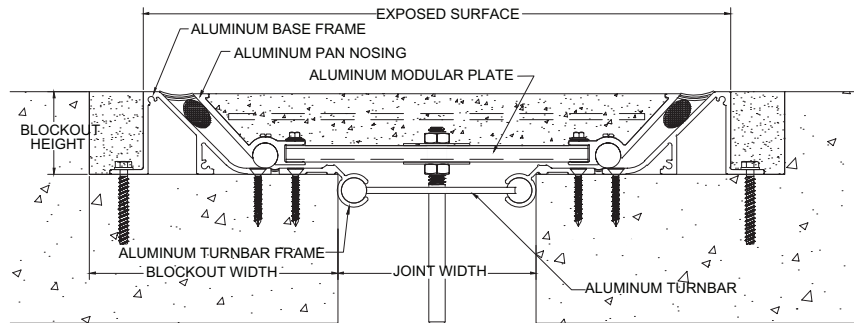
Capable of Lateral Movement

SSR & SSRW 500-2400

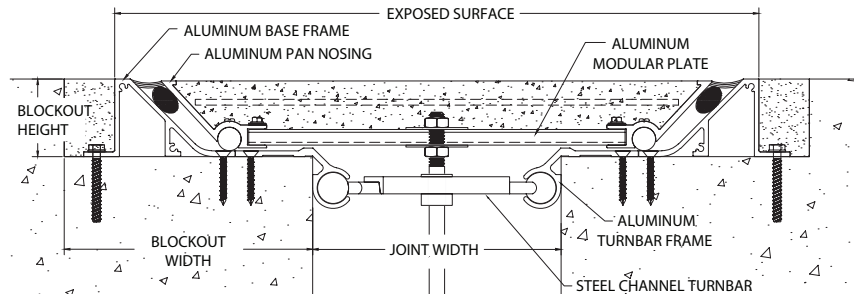
100% Movement Models

MODEL	JOINT WIDTH	MINIMUM OPENING	MAXIMUM OPENING	EXPOSED SURFACE	BLOCKOUT WIDTH	BLOCKOUT HEIGHT
SSR-500	5.00" (127mm)	2.75" (70mm)	7.75" (197mm)	16.31" (414mm)	7.25" (184mm)	2.50" (64mm)
SSR-600	6.00" (152mm)	2.75" (70mm)	9.13" (232mm)	17.75" (451mm)	7.50" (191mm)	2.50" (64mm)
SSR-700	7.00" (178mm)	2.75" (70mm)	10.75" (273mm)	19.25" (489mm)	7.75" (197mm)	2.50" (64mm)
SSR-800	8.00" (203mm)	4.25" (108mm)	12.25" (311mm)	20.75" (527mm)	8.00" (203mm)	2.50" (64mm)
SSR-900	9.00" (229mm)	4.25" (108mm)	13.75" (349mm)	22.25" (565mm)	8.25" (210mm)	2.50" (64mm)
SSR-1000	10.00" (254mm)	4.25" (108mm)	15.25" (387mm)	23.75" (603mm)	8.50" (216mm)	2.50" (64mm)
SSR-1100	11.00" (279mm)	4.25" (108mm)	16.75" (425mm)	25.25" (641mm)	8.75" (222mm)	2.50" (64mm)
SSR-1200	12.00" (305mm)	4.25" (108mm)	18.25" (464mm)	26.75" (679mm)	9.00" (229mm)	2.50" (64mm)
SSR-1300	13.00" (330mm)	4.25" (108mm)	19.75" (502mm)	28.25" (718mm)	9.25" (235mm)	2.50" (64mm)
SSR-1400	14.00" (356mm)	4.25" (108mm)	21.25" (540mm)	29.75" (756mm)	9.50" (241mm)	2.50" (64mm)
SSR-1500	15.00" (381mm)	4.25" (108mm)	22.75" (578mm)	31.25" (794mm)	9.75" (248mm)	2.50" (64mm)
SSR-1600	16.00" (406mm)	4.25" (108mm)	24.25" (616mm)	32.75" (832mm)	10.00" (254mm)	2.50" (64mm)
SSR-1700	17.00" (432mm)	4.25" (108mm)	25.75" (654mm)	34.25" (870mm)	10.25" (260mm)	2.50" (64mm)
SSR-1800	18.00" (457mm)	4.25" (108mm)	27.25" (692mm)	35.75" (908mm)	10.50" (267mm)	2.50" (64mm)
SSR-1900	19.00" (483mm)	4.25" (108mm)	28.75" (730mm)	37.25" (946mm)	10.75" (273mm)	2.50" (64mm)
SSR-2000	20.00" (508mm)	4.25" (108mm)	30.25" (768mm)	38.75" (984mm)	11.00" (279mm)	2.50" (64mm)
SSR-2100	21.00" (533mm)	4.25" (108mm)	31.75" (806mm)	40.25" (1,022mm)	11.25" (286mm)	2.50" (64mm)
SSR-2200	22.00" (559mm)	4.25" (108mm)	33.25" (845mm)	41.75" (1,060mm)	11.50" (292mm)	2.50" (64mm)
SSR-2300	23.00" (584mm)	4.25" (108mm)	34.75" (883mm)	43.25" (1,099mm)	11.75" (298mm)	2.50" (64mm)
SSR-2400	24.00" (610mm)	4.25" (108mm)	36.25" (921mm)	44.75" (1,137mm)	12.00" (305mm)	2.50" (64mm)

SSR 500-700



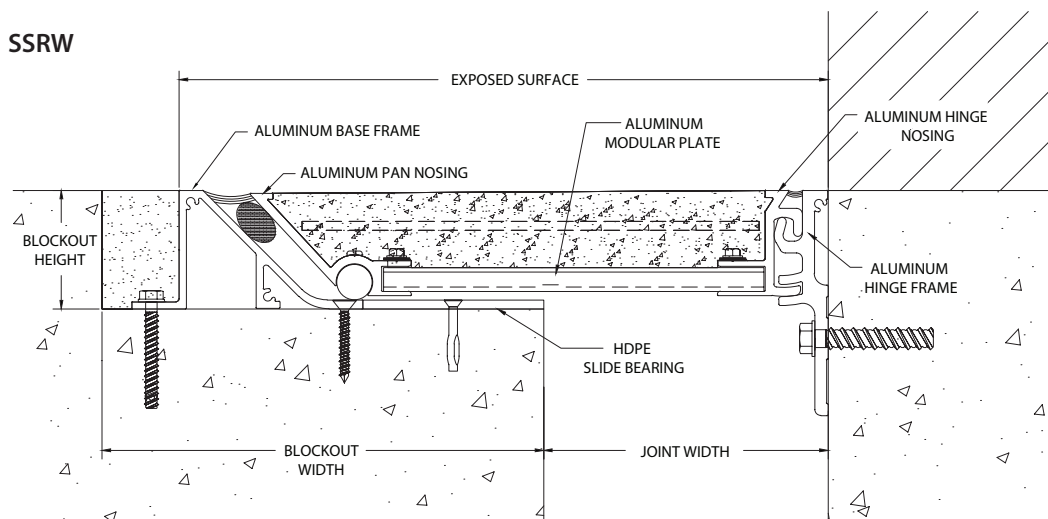
SSR 800-2400



SSR & SSRW 500-2400

100% Movement Models

MODEL	JOINT WIDTH	MINIMUM OPENING	MAXIMUM OPENING	EXPOSED SURFACE	BLOCKOUT WIDTH	BLOCKOUT HEIGHT
SSRW-500	5.00" (127mm)	1.06" (27mm)	8.25" (210mm)	12.19" (310mm)	8.81" (224mm)	2.50" (64mm)
SSRW-600	6.00" (152mm)	1.06" (27mm)	9.75" (248mm)	13.69" (348mm)	9.31" (236mm)	2.50" (64mm)
SSRW-700	7.00" (178mm)	1.06" (27mm)	11.25" (286mm)	15.19" (386mm)	9.81" (249mm)	2.50" (64mm)
SSRW-800	8.00" (203mm)	1.06" (27mm)	12.75" (324mm)	16.69" (424mm)	10.31" (262mm)	2.50" (64mm)
SSRW-900	9.00" (229mm)	1.06" (27mm)	14.25" (362mm)	18.19" (462mm)	10.81" (275mm)	2.50" (64mm)
SSRW-1000	10.00" (254mm)	1.06" (27mm)	15.75" (400mm)	19.69" (500mm)	11.31" (287mm)	2.50" (64mm)
SSRW-1100	11.00" (279mm)	1.06" (27mm)	17.25" (438mm)	21.19" (538mm)	11.81" (300mm)	2.50" (64mm)
SSRW-1200	12.00" (305mm)	1.06" (27mm)	18.75" (476mm)	22.69" (576mm)	12.31" (313mm)	2.50" (64mm)
SSRW-1300	13.00" (330mm)	1.06" (27mm)	20.25" (514mm)	24.19" (614mm)	12.81" (325mm)	2.50" (64mm)
SSRW-1400	14.00" (356mm)	1.06" (27mm)	21.75" (552mm)	25.69" (653mm)	13.31" (338mm)	2.50" (64mm)
SSRW-1500	15.00" (381mm)	1.06" (27mm)	23.25" (591mm)	27.19" (691mm)	13.81" (351mm)	2.50" (64mm)
SSRW-1600	16.00" (406mm)	1.06" (27mm)	24.75" (629mm)	28.69" (729mm)	14.31" (363mm)	2.50" (64mm)
SSRW-1700	17.00" (432mm)	1.06" (27mm)	26.25" (667mm)	30.19" (767mm)	14.81" (376mm)	2.50" (64mm)
SSRW-1800	18.00" (457mm)	1.06" (27mm)	27.75" (705mm)	31.69" (805mm)	15.31" (389mm)	2.50" (64mm)
SSRW-1900	19.00" (483mm)	1.06" (27mm)	29.25" (743mm)	33.19" (843mm)	15.81" (402mm)	2.50" (64mm)
SSRW-2000	20.00" (508mm)	1.06" (27mm)	30.75" (781mm)	34.69" (881mm)	16.31" (414mm)	2.50" (64mm)
SSRW-2100	21.00" (533mm)	1.06" (27mm)	32.25" (819mm)	36.19" (919mm)	16.81" (427mm)	2.50" (64mm)
SSRW-2200	22.00" (559mm)	1.06" (27mm)	33.75" (857mm)	37.69" (957mm)	17.31" (440mm)	2.50" (64mm)
SSRW-2300	23.00" (584mm)	1.06" (27mm)	35.25" (895mm)	39.19" (995mm)	17.81" (452mm)	2.50" (64mm)
SSRW-2400	24.00" (610mm)	1.06" (27mm)	36.75" (933mm)	40.69" (1,034mm)	18.31" (465mm)	2.50" (64mm)

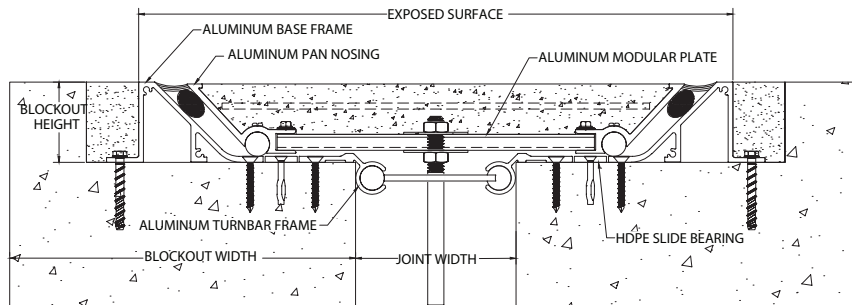


SSR & SSRW 510-2448

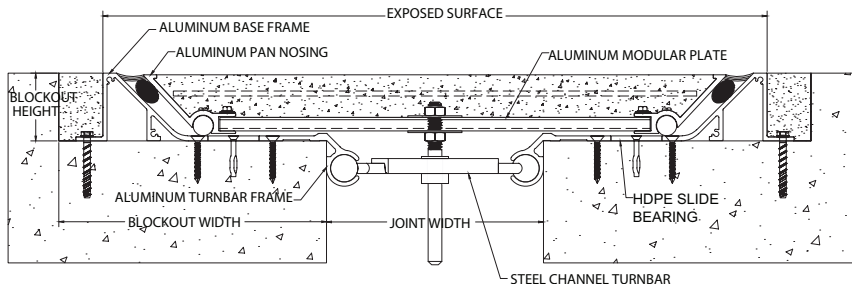
200% Movement Models

MODEL	JOINT WIDTH	MINIMUM OPENING	MAXIMUM OPENING	EXPOSED SURFACE	BLOCKOUT WIDTH	BLOCKOUT HEIGHT
SSR-510	5.00" (127mm)	2.75" (70mm)	10.00" (254mm)	18.50" (470mm)	8.38" (213mm)	2.50" (64mm)
SSR-612	6.00" (152mm)	2.75" (70mm)	12.00" (305mm)	20.50" (521mm)	8.88" (226mm)	2.50" (64mm)
SSR-714	7.00" (178mm)	2.75" (70mm)	14.00" (356mm)	22.50" (572mm)	9.38" (238mm)	2.50" (64mm)
SSR-816	8.00" (203mm)	4.25" (108mm)	16.00" (406mm)	24.50" (622mm)	9.88" (251mm)	2.50" (64mm)
SSR-918	9.00" (229mm)	4.25" (108mm)	18.00" (457mm)	26.50" (673mm)	10.38" (264mm)	2.50" (64mm)
SSR-1020	10.00" (254mm)	4.25" (108mm)	20.00" (508mm)	28.50" (724mm)	10.88" (276mm)	2.50" (64mm)
SSR-1122	11.00" (279mm)	4.25" (108mm)	22.00" (559mm)	30.50" (775mm)	11.38" (289mm)	2.50" (64mm)
SSR-1224	12.00" (305mm)	4.25" (108mm)	24.00" (610mm)	32.50" (826mm)	11.88" (302mm)	2.50" (64mm)
SSR-1326	13.00" (330mm)	4.25" (108mm)	26.00" (660mm)	34.50" (876mm)	12.38" (314mm)	2.50" (64mm)
SSR-1428	14.00" (356mm)	4.25" (108mm)	28.00" (711mm)	36.50" (927mm)	12.88" (327mm)	2.50" (64mm)
SSR-1530	15.00" (381mm)	4.25" (108mm)	30.00" (762mm)	38.50" (978mm)	13.38" (340mm)	2.50" (64mm)
SSR-1632	16.00" (406mm)	4.25" (108mm)	32.00" (813mm)	40.50" (1,029mm)	13.88" (353mm)	2.50" (64mm)
SSR-1734	17.00" (432mm)	4.25" (108mm)	34.00" (864mm)	42.50" (1,080mm)	14.38" (365mm)	2.50" (64mm)
SSR-1836	18.00" (457mm)	4.25" (108mm)	36.00" (914mm)	44.50" (1,130mm)	14.88" (378mm)	2.50" (64mm)
SSR-1938	19.00" (483mm)	4.25" (108mm)	38.00" (965mm)	46.50" (1,181mm)	15.38" (391mm)	2.50" (64mm)
SSR-2040	20.00" (508mm)	4.25" (108mm)	40.00" (1,016mm)	48.50" (1,232mm)	15.88" (403mm)	2.50" (64mm)
SSR-2142	21.00" (533mm)	4.25" (108mm)	42.00" (1,067mm)	50.50" (1,283mm)	16.38" (416mm)	2.50" (64mm)
SSR-2244	22.00" (559mm)	4.25" (108mm)	44.00" (1,118mm)	52.50" (1,334mm)	16.88" (429mm)	2.50" (64mm)
SSR-2346	23.00" (584mm)	4.25" (108mm)	46.00" (1,168mm)	54.50" (1,384mm)	17.38" (441mm)	2.50" (64mm)
SSR-2448	24.00" (610mm)	4.25" (108mm)	48.00" (1,219mm)	56.50" (1,435mm)	17.88" (454mm)	2.50" (64mm)

SSR 510-714



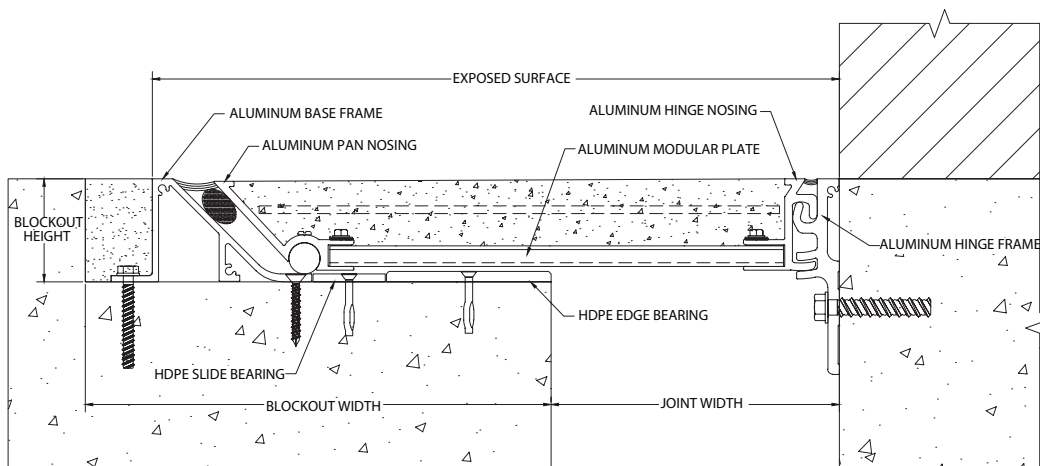
SSR 816-2448



SSR & SSRW 510-2448

200% Movement Models

MODEL	JOINT WIDTH	MINIMUM OPENING	MAXIMUM OPENING	EXPOSED SURFACE	BLOCKOUT WIDTH	BLOCKOUT HEIGHT
SSRW-510	5.00" (127mm)	1.06" (27mm)	10.75" (273mm)	14.69" (373mm)	11.31" (287mm)	2.50" (64mm)
SSRW-612	6.00" (152mm)	1.06" (27mm)	12.75" (324mm)	16.69" (424mm)	12.31" (313mm)	2.50" (64mm)
SSRW-714	7.00" (178mm)	1.06" (27mm)	14.75" (375mm)	18.69" (475mm)	13.31" (338mm)	2.50" (64mm)
SSRW-816	8.00" (203mm)	1.06" (27mm)	16.75" (425mm)	20.69" (526mm)	14.31" (363mm)	2.50" (64mm)
SSRW-918	9.00" (229mm)	1.06" (27mm)	18.75" (476mm)	22.69" (576mm)	15.31" (389mm)	2.50" (64mm)
SSRW-1020	10.00" (254mm)	1.06" (27mm)	20.75" (527mm)	24.69" (627mm)	16.31" (414mm)	2.50" (64mm)
SSRW-1122	11.00" (279mm)	1.06" (27mm)	22.75" (578mm)	26.69" (678mm)	17.31" (440mm)	2.50" (64mm)
SSRW-1224	12.00" (305mm)	1.06" (27mm)	24.75" (629mm)	28.69" (729mm)	18.31" (465mm)	2.50" (64mm)
SSRW-1326	13.00" (330mm)	1.06" (27mm)	26.75" (679mm)	30.69" (780mm)	19.31" (490mm)	2.50" (64mm)
SSRW-1428	14.00" (356mm)	1.06" (27mm)	28.75" (730mm)	32.69" (830mm)	20.31" (516mm)	2.50" (64mm)
SSRW-1530	15.00" (381mm)	1.06" (27mm)	30.75" (781mm)	34.69" (881mm)	21.31" (541mm)	2.50" (64mm)
SSRW-1632	16.00" (406mm)	1.06" (27mm)	32.75" (832mm)	36.69" (932mm)	22.31" (567mm)	2.50" (64mm)
SSRW-1734	17.00" (432mm)	1.06" (27mm)	34.75" (883mm)	38.69" (983mm)	23.31" (592mm)	2.50" (64mm)
SSRW-1836	18.00" (457mm)	1.06" (27mm)	36.75" (933mm)	40.69" (1,034mm)	24.31" (617mm)	2.50" (64mm)
SSRW-1938	19.00" (483mm)	1.06" (27mm)	38.75" (984mm)	42.69" (1,084mm)	25.31" (643mm)	2.50" (64mm)
SSRW-2040	20.00" (508mm)	1.06" (27mm)	40.75" (1,035mm)	44.69" (1,135mm)	26.31" (668mm)	2.50" (64mm)
SSRW-2142	21.00" (533mm)	1.06" (27mm)	42.75" (1,086mm)	46.69" (1,186mm)	27.31" (694mm)	2.50" (64mm)
SSRW-2244	22.00" (559mm)	1.06" (27mm)	44.75" (1,137mm)	48.69" (1,237mm)	28.31" (719mm)	2.50" (64mm)
SSRW-2346	23.00" (584mm)	1.06" (27mm)	46.75" (1,187mm)	50.69" (1,288mm)	29.31" (744mm)	2.50" (64mm)
SSRW-2448	24.00" (610mm)	1.06" (27mm)	48.75" (1,238mm)	52.69" (1,338mm)	30.31" (770mm)	2.50" (64mm)



SSRW