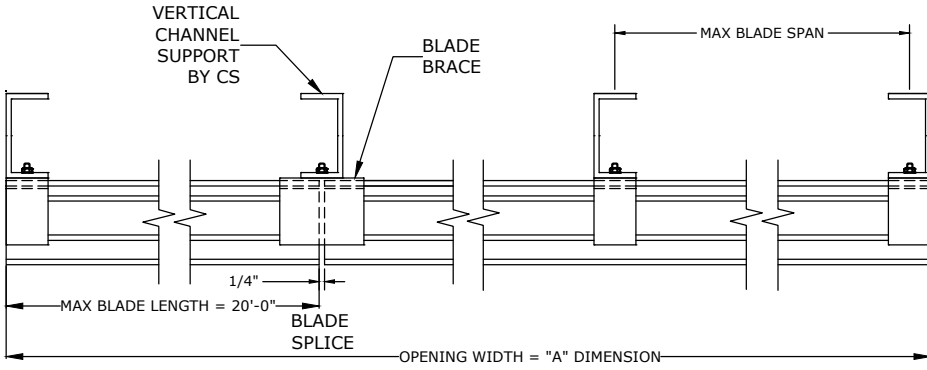
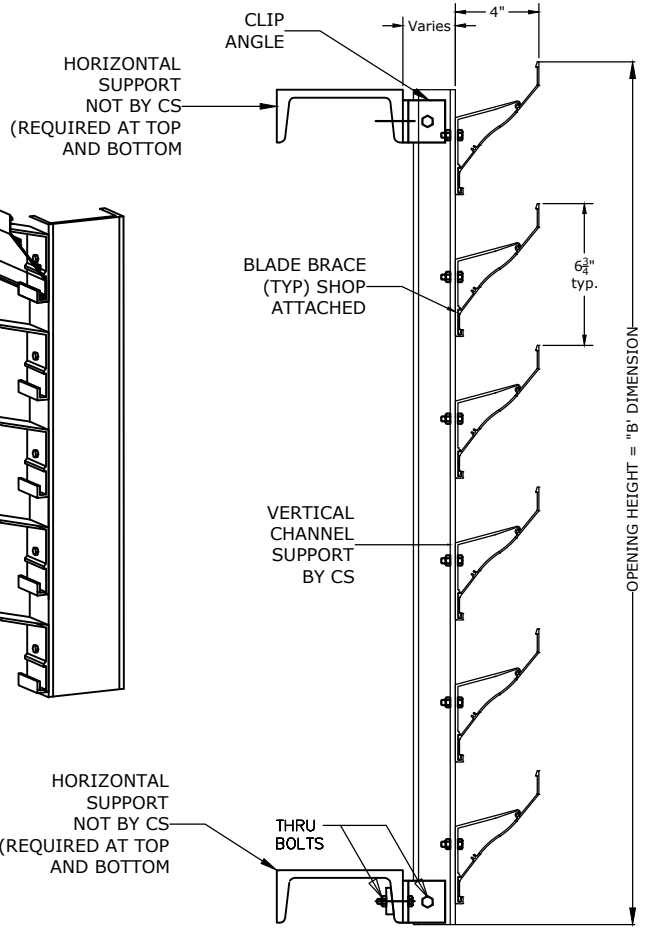
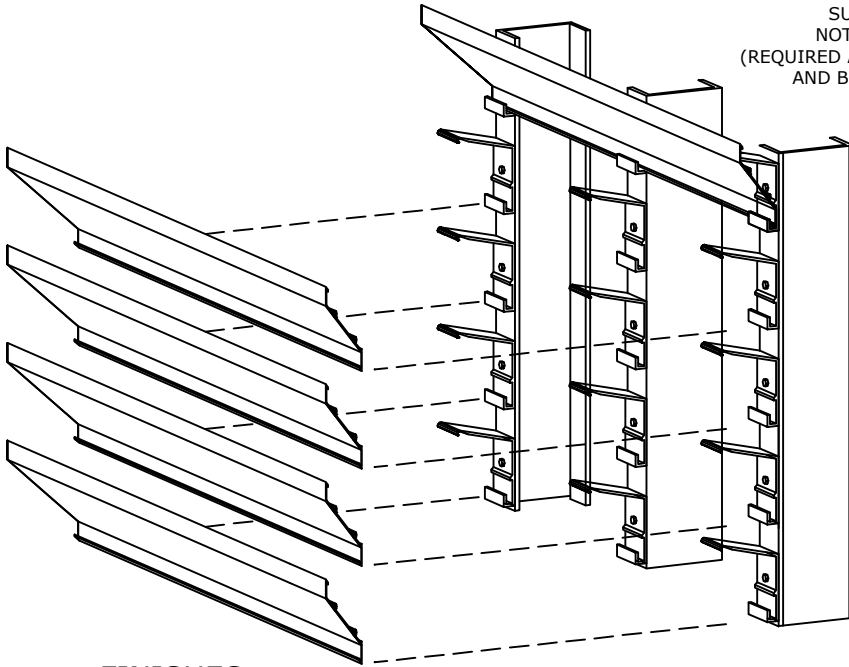


CS VERT-A-CADE MODEL VAC-301



PLAN VIEW (NTS)



VERTICAL SECTION (NTS)

FINISHES

- STANDARD MILL
- FLUOROPOLYMER POWDER COAT (NOT AVAILABLE IN 600XL OR 700)
- KYNAR (500),(600XL)or(700)
 - (1) OF CS STD. COLORS
 - CUSTOM COLOR, CS REQUIRES A COLOR CHIP FOR MATCHING
- BRONZE ANODIC (DARK OR MED.)
- CLEAR ANODIZE
- OTHER _____

NOTES:

VERTICAL CHANNEL SUPPORTS AND HORIZONTAL BLADES SHIP LOOSE FOR FIELD ASSEMBLY BY INSTALLER

UNSUPPORTED BLADE LENGTH= _____ @ _____ PSF.

MARK	QTY.	"A" DIM.	"B" DIM.	# OF VERTICAL CHANNEL SUPPORTS	VERTICAL CHANNEL SPACING	# OF BLADE SPLICES	CHANNEL SUPPORT SIZE	REMARKS

Construction Specialties, Inc.
 3 Werner Way
 Lebanon, New Jersey 08833
 (800) 233-8493

PROJECT:	DRAWN BY:
CUSTOMER:	DATE:
ARCH'T:	DWG. NO:
AGENT:	SHEET OF