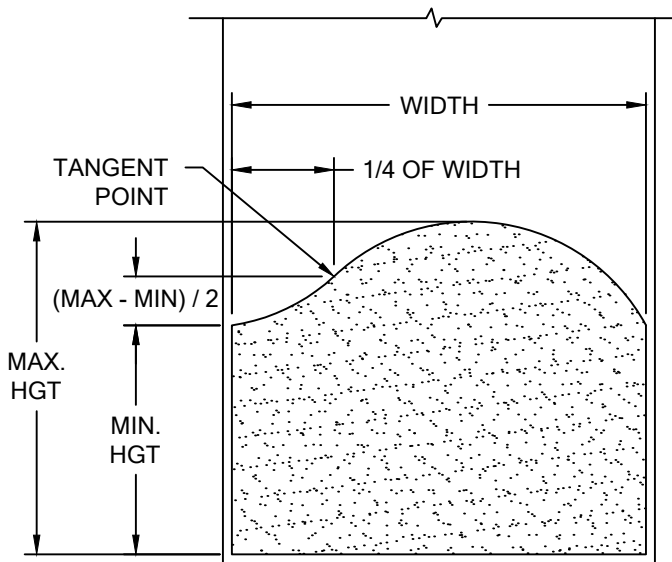
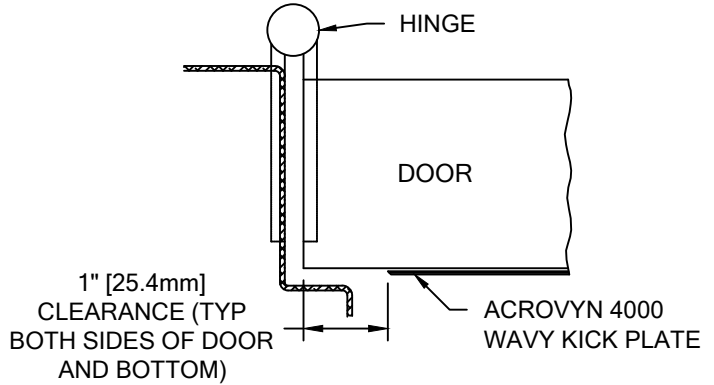
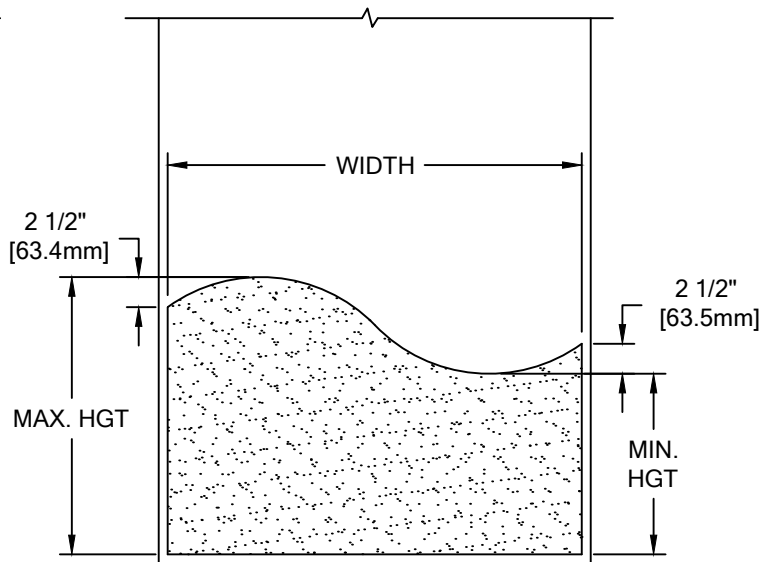


COLOR: KICK PLATE: _____ THICKNESS*: _____ COLOR TO BE SELECTED FROM ONE OF CS STANDARD COLORS. *WAVY KICK PLATES ARE AVAILABLE IN .040" AND .060" THICKNESS.	MARK	UNITS	STYLE	HIGH	MIN.	MAX.	WIDTH
	I.D.	REQ'D	(A OR B)	WAVE	HGT.	HGT.	
NOTES:							

1. WAVY KICK PLATES ARE SUPPLIED STANDARD WITH BEVELED EDGES.
2. FIRE RATING HEAT STAMP LOCATED ON FACE OF KICK PLATE IS STANDARD.
3. PLEASE ADVISE WHICH STYLE OF WAVE IS DESIRED AND LOCATION OF THE HIGH WAVE.
4. PLEASE ADVISE HEIGHTS AND WIDTHS OF WAVY KICK PLATES.
5. MAXIMUM WAVY KICK PLATE IS 48" X 48". ANYTHING LARGER OR DIFFERENT STYLE IS CUSTOM AND REQUIRES CUSTOM PRICING.



STYLE 'A'
"HIGH WAVE RIGHT"




STYLE 'B'
"HIGH WAVE LEFT"

WAVY KICK PLATES

ACROVYN 4000

CONDITION	SPECIFIED FASTENER	QUANTITY	CS PART NUMBER
WOOD & METAL DOORS	DOUBLE SIDED TAPE	FACTORY APPLIED	90M181002
WOOD & METAL DOORS	FASTBOND 30 ADHESIVE	5 GALLON 1 GALLON 1 QUART	90M016001 90M014001 90M015001

 <p>Hughesville, PA 800.233.8493 570.546.5941 Mississauga, ON 888.895.8955 905.274.3611 www.c-sgroup.com</p> <p>© Copyright 2019 Construction Specialties, Inc.</p>	PROJECT:	REVISION:
	JOB NO.:	F&F:
	CUSTOMER:	
	REP:	DATE:
	DRAWN BY:	SHEET NO: