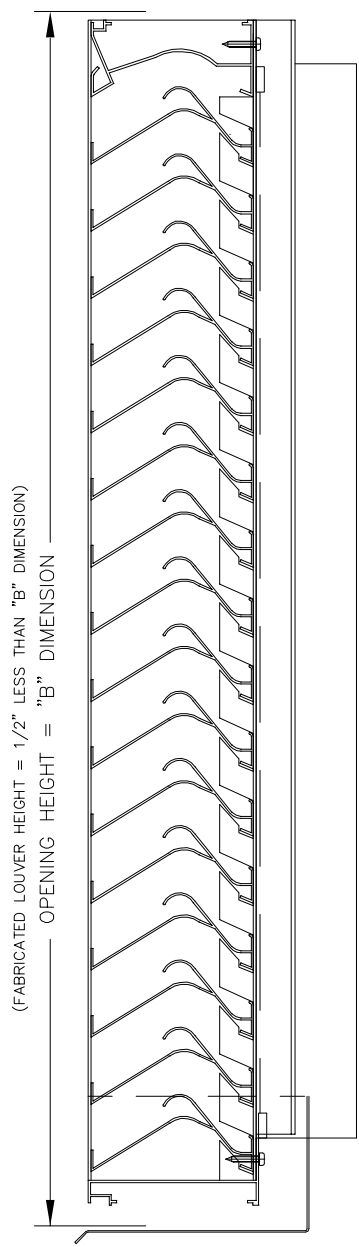
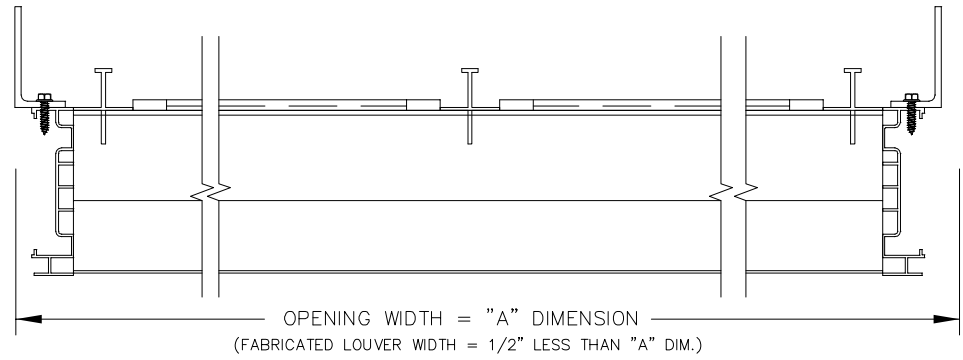


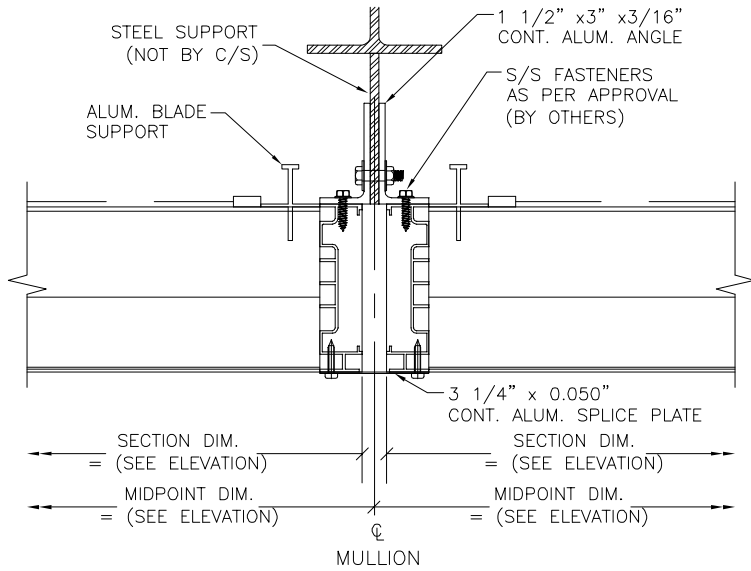
DADE COUNTY HURRICANE LOUVER – MODEL DCH-5704



VERTICAL SECTION



PLAN VIEW



NOTE:
MULLION ONLY REQUIRED IF LOUVER WIDTH EXCEEDS 12'-0"

SUBSTRATE

- | | | |
|--|--|--|
| <p>JAMBS</p> <ul style="list-style-type: none"> <input type="checkbox"/> CONCRETE/CMU <input type="checkbox"/> STEEL ALUMINUM THICKNESS _____ STEEL STUD GAGE _____ <input type="checkbox"/> WOOD ALUM. SOCKET FLANGE _____ <p>CONCRETE/CMU MINIMUM 3000 PSI
WOOD G=0.42 MIN.</p> | <p>HEAD</p> <ul style="list-style-type: none"> <input type="checkbox"/> CONCRETE/CMU <input type="checkbox"/> STEEL ALUMINUM THICKNESS _____ STEEL STUD GAGE _____ <input type="checkbox"/> WOOD ALUM. SOCKET FLANGE _____ <p>STEEL 3/16" THK MIN.
ALUMINUM 1/8" THK MIN.</p> | <p>SILL</p> <ul style="list-style-type: none"> <input type="checkbox"/> CONCRETE/CMU <input type="checkbox"/> STEEL ALUMINUM THICKNESS _____ STEEL STUD GAGE _____ <input type="checkbox"/> WOOD ALUM. SOCKET FLANGE _____ <p>STEEL STUD MIN 16 GAGE
ALUM. SOCKET FLANGE 3/16" MIN.</p> |
|--|--|--|

SCREENS

- SCREEN NOT REQUIRED
- SCREEN REQUIRED
- INTERIOR MOUNTED
- EXTERIOR MOUNTED
- BIRDSCREEN-5/8" EXP. ALUM. MESH IN ALUMINUM FRAME.
- INSECT SCREEN (18x16 MESH)

FINISHES

- STANDARD MILL
- DURACOLOR 400
- KYNAR 500
- (1) C/S STANDARD COLORS
- CUSTOM COLOR, C/S REQUIRES A COLOR CHIP FOR MATCHING
- ARCHITECTURAL CLASS I (MED OR DARK) BRONZE ANODIC COATING
- 204-R1 CLEAR ANODIZE
- OTHER _____

C/S EXTRUDED ALUMINUM DADE COUNTY HURRICANE LOUVER 5" DEEP MODEL DCH-5704. FRAMES AND BLADES TO BE FABRICATED FROM 6063-T6 ALLOY. FRAME COMPONENTS TO HAVE A NOMINAL .081" MATERIAL THICKNESS. BLADES TO HAVE A .060" MATERIAL THICKNESS. ALL FASTENERS TO BE STAINLESS STEEL. SPECIAL SHAPE LOUVERS AVAILABLE. SEE SHEET _ OF _ FOR DETAILS. UNSUPPORTED BLADE LENGTH = @ PSF.

MARK	QTY.	"A" DIM.	"B" DIM.	NUMBER OF MULLIONS	LOCATION	REMARKS
						CKD. BY:
Construction Specialties, Inc. 49 Meeker Avenue Cranford, New Jersey 07016 (908) 272-5200 Fax (908) 272-6038						DRAWN BY:
						DATE:
						DWG. NO:
						SHEET OF

