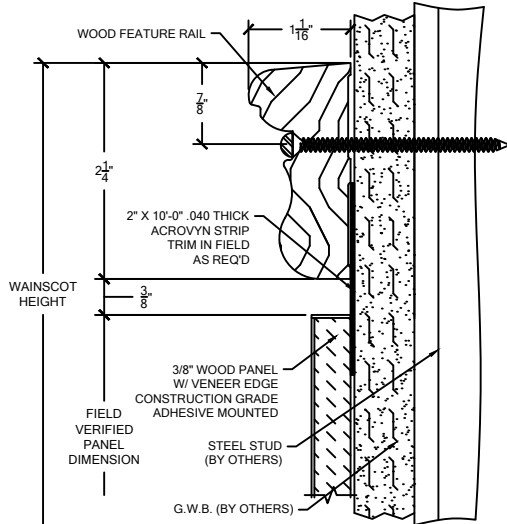
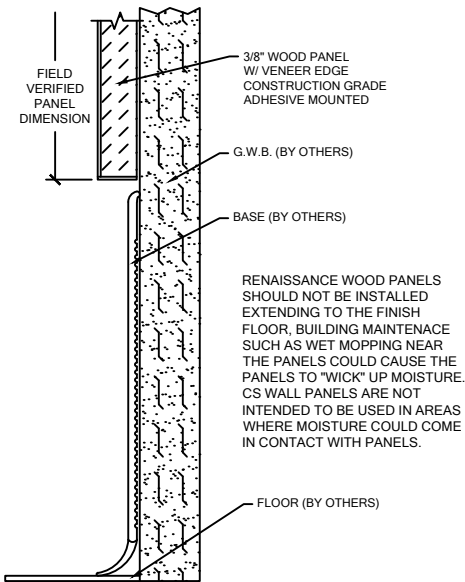


**NOTES:**

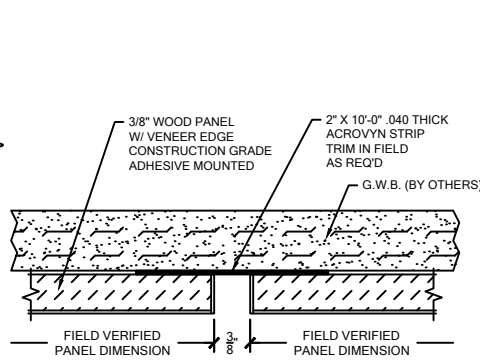
1. MAXIMUM VENEER EDGE PANEL SIZE IS 48" X 120".
2. ALL WALL PANELS HAVE A NOMINAL THICKNESS OF 3/8".
3. WOOD GRAIN DIRECTION IS PARALLEL TO THE 120" SIDE OF A VENEER EDGE PANEL UNLESS OTHERWISE NOTED.
4. SEE INDIVIDUAL FEATURE RAIL TEAR SHEET FOR ORDERING INFORMATION.
5. PANEL SYSTEM IS DESIGNED TO BE FACTORY CUT. THEREFORE FIELD VERIFIED DIMENSIONS ARE REQUIRED.



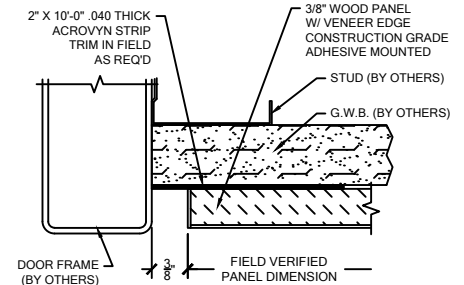
**WOOD WAINSCOT**



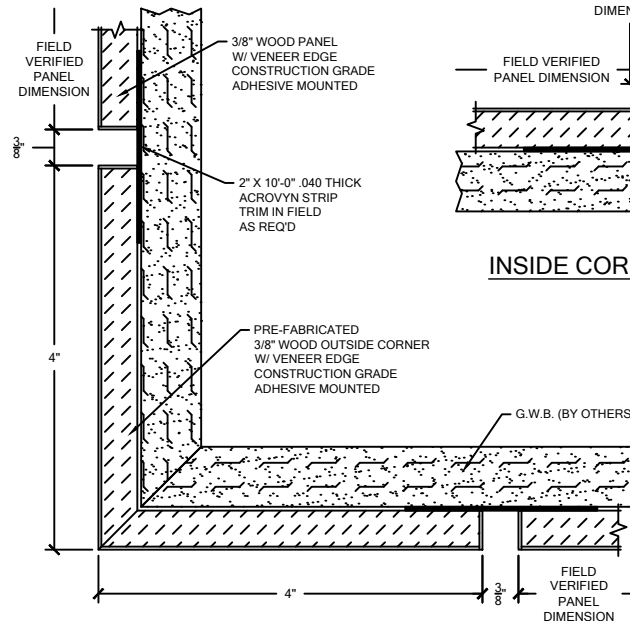
**BASE CONDITION**



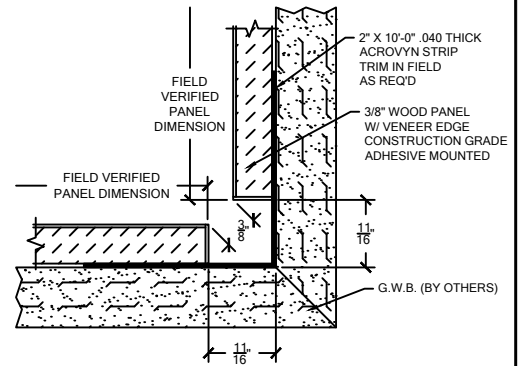
**VERTICAL REVEAL**



**END REVEAL**



**OUTSIDE CORNER**



**INSIDE CORNER CONDITION**

**VENEER EDGE  
RENAISSANCE WALL PANELS  
AT PARTIAL HEIGHT**



CS WALL PANELS ARE UL RATED AND MEET CLASS A/1 FIRE RATING WHEN TESTED IN ACCORDANCE WITH ASTM-E84



Hughesville, PA | 800.233.8493 | 570.546.5941  
Mississauga, ON | 888.895.8955 | 905.274.3611  
[www.c-sgroup.com](http://www.c-sgroup.com)

© Copyright 2017 Construction Specialties, Inc.

<b>PROJECT:</b>	<b>REVISION:</b>
<b>JOB NO.:</b>	<b>F&amp;F:</b>
<b>CUSTOMER:</b>	
<b>REP:</b>	<b>DATE:</b>
<b>DRAWN BY:</b>	<b>SHEET NO:</b>