

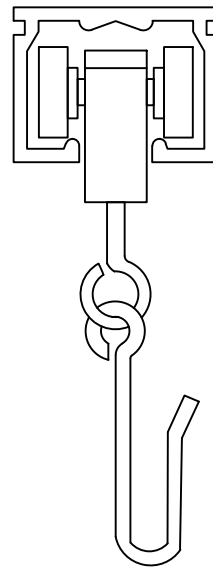
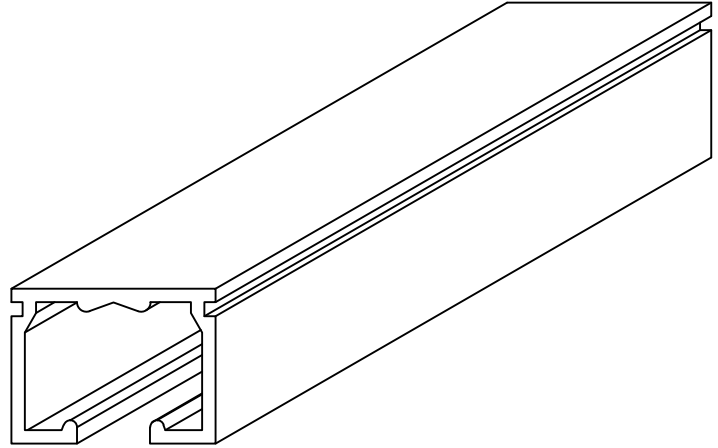
NL6062 SURFACE MOUNTED ALUMINUM TRACK

Features:

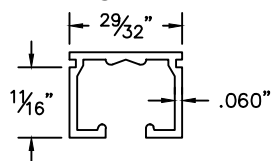
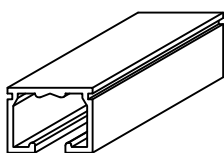
- Manufactured of high quality extruded aluminum 6063-T5.
- Available in clear anodized finish or white powder coat.
- Dual channel, providing consistently smooth, snag free operation.
- Continuous radiuses bends available in 36" and up.
- Radius Bends that include a straight piece after the bend are available in the following radiuses: 12", 21", 24".
- Available for surface or suspend mounted installations.

Technical Data:

- $2\frac{9}{32}$ " W x $1\frac{1}{16}$ " deep
- .060" thickness
- CS carrier model:
 - CS NL1062 roller carrier
- End caps available in aluminum.



NL6062 NARROWLINE TRACK



DRAWING BY: CDL

DATE: 10/5/2016

 **Cubicle Curtains**