

**PEDITRED SA WITH RECESSED TAPERED ANGLE FRAME**

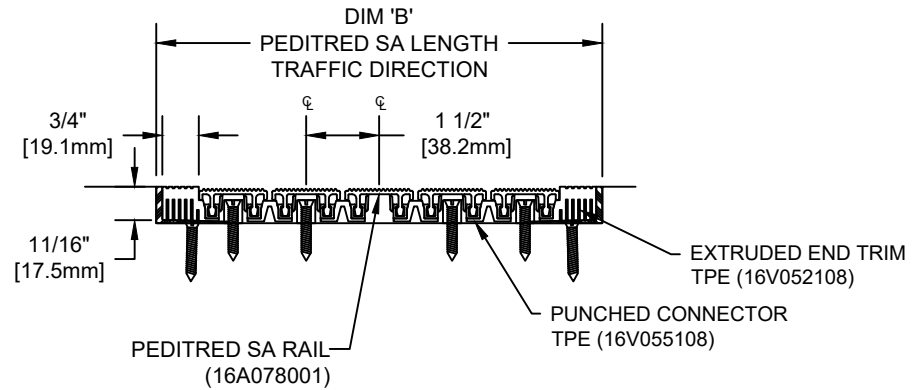
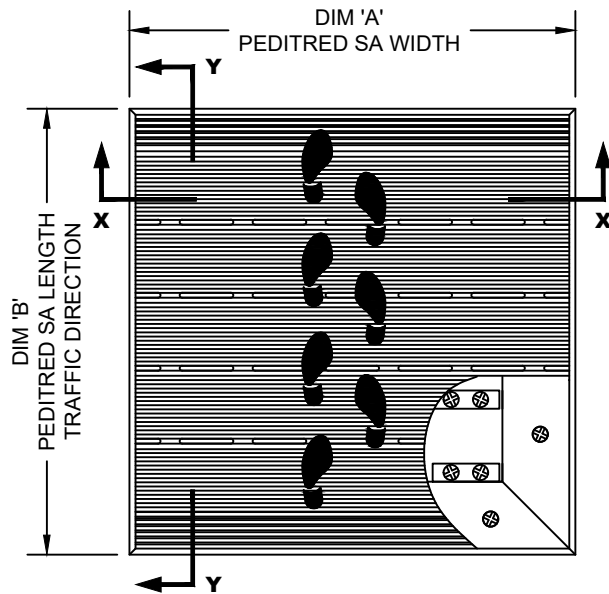
INSERT STYLE: PEDITRED SA

INSERT COLOR: PLEASE ADVISE

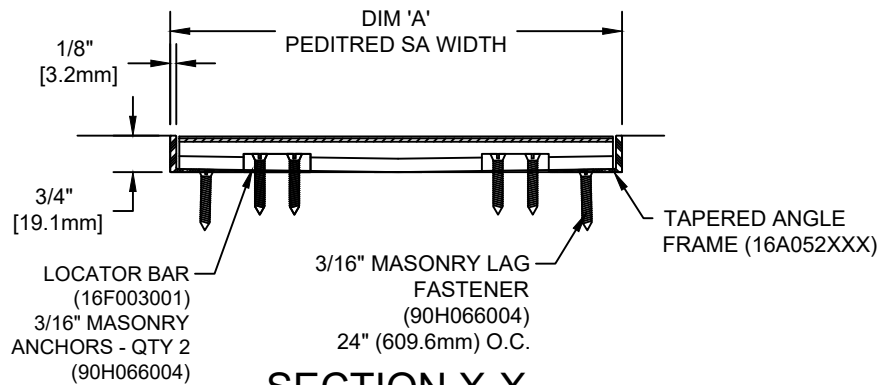
CATALOG NUMBER: G4

PART NUMBER:

|     |             |      |    |
|-----|-------------|------|----|
| NO. | REVISION    | DATE | BY |
| NO. | F&F RELEASE | DATE | BY |
|     |             |      |    |
|     |             |      |    |



**SECTION Y-Y**



**SECTION X-X**

**NOTES:**

\*ALL SURFACES IN CONTACT WITH MASONRY ARE TO RECEIVE A COAT OF ZINC CHROMATE PRIMER

\*MAX. SINGLE GRID SIZE NOT TO EXCEED 12'-0" (3.66M) IN WIDTH (DIM "A") OR 3'-0" [91M] IN LENGTH (DIM "B").

\*PLEASE VERIFY TRAFFIC DIRECTION

\*ADDITIONAL SPECIFICATIONS ARE CONTAINED IN THE LATEST C/S CATALOG OR AT C-SGROUP.COM AND ARE CONSIDERED PART OF THIS TRANSMITTAL.

\*PEDITRED SA SHALL BE ABLE TO SUPPORT A 1000 LB. ROLLING LOAD.

6696 Route 405 Highway, Muncy PA 17756  
 (800) 233-8493 • Fax (570) 546-4692 • www.c-sgroup.com

| PLEASE VERIFY ALL | QTY | MARK # | LOCATION | MODEL | DIM 'A' WIDTH | DIM 'B' LENGTH | FINISH | NOTES |
|-------------------|-----|--------|----------|-------|---------------|----------------|--------|-------|
|                   |     |        |          |       |               |                |        |       |
|                   |     |        |          |       |               |                |        |       |
|                   |     |        |          |       |               |                |        |       |
|                   |     |        |          |       |               |                |        |       |

|             |       |          |
|-------------|-------|----------|
| PROJECT:    |       |          |
| LOCATION:   |       |          |
| CONTRACTOR: |       |          |
| AGENT:      |       | SHT:     |
| DRG. BY:    | DATE: | JOB NO.: |