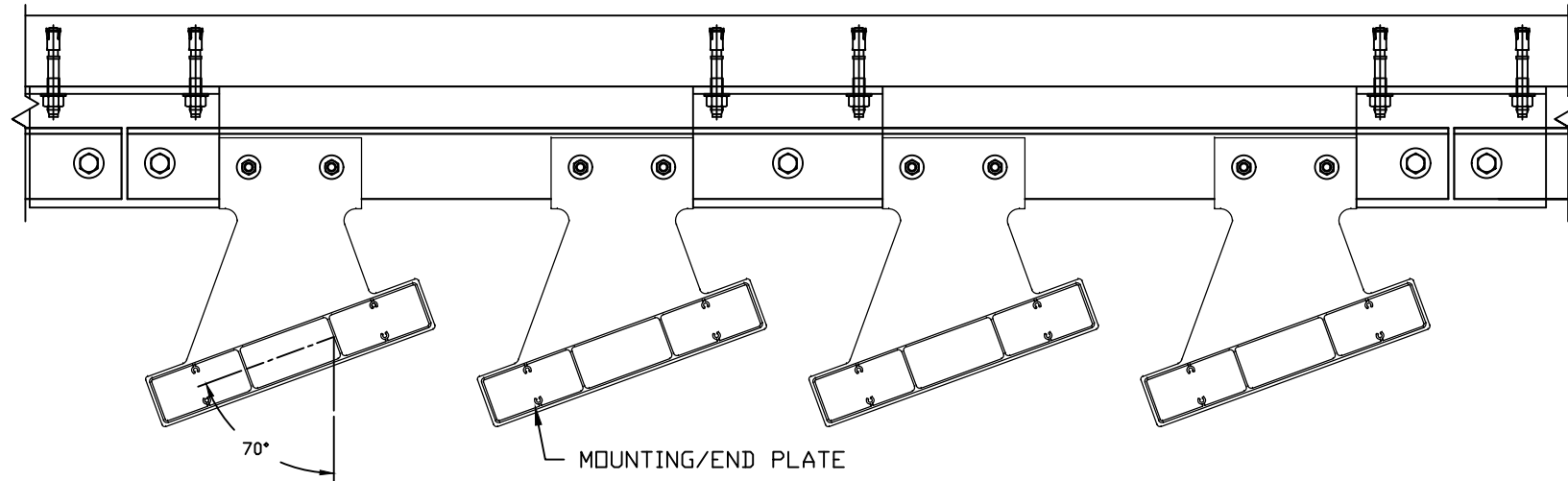
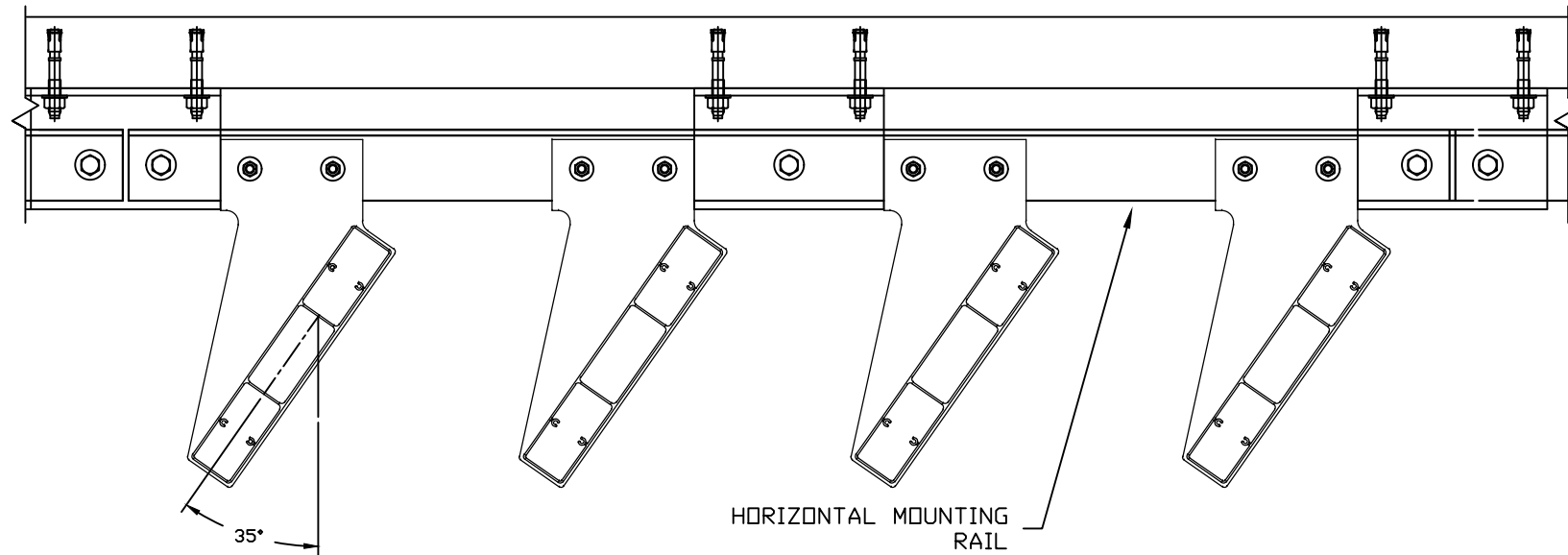


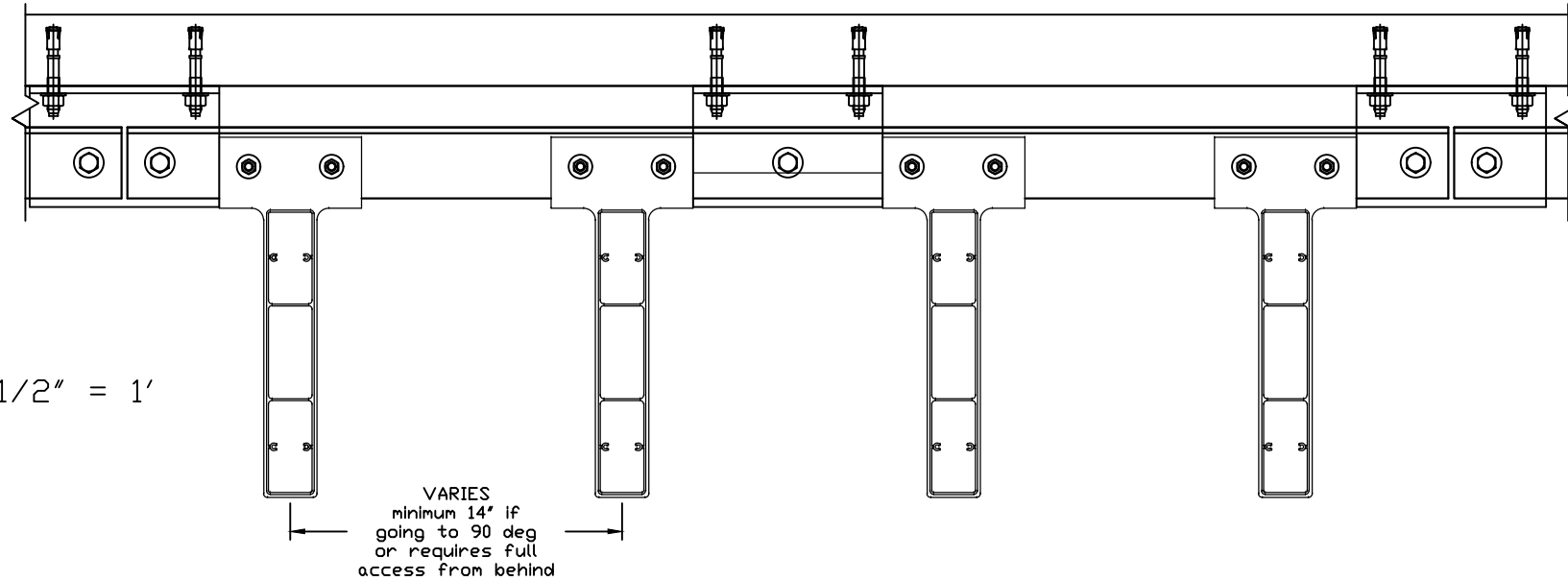
SECTION S3
70 DEG 2



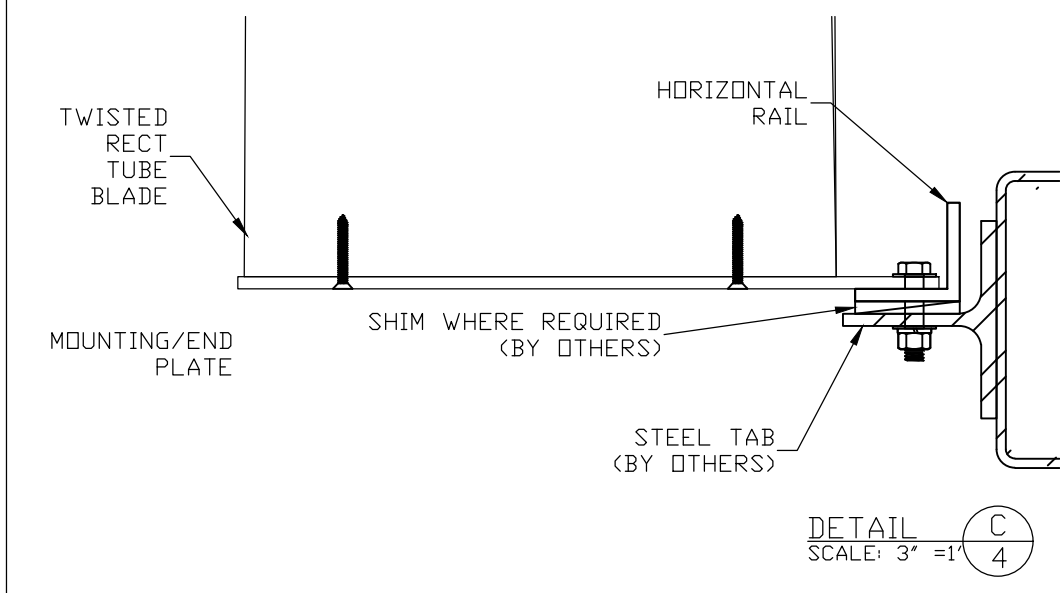
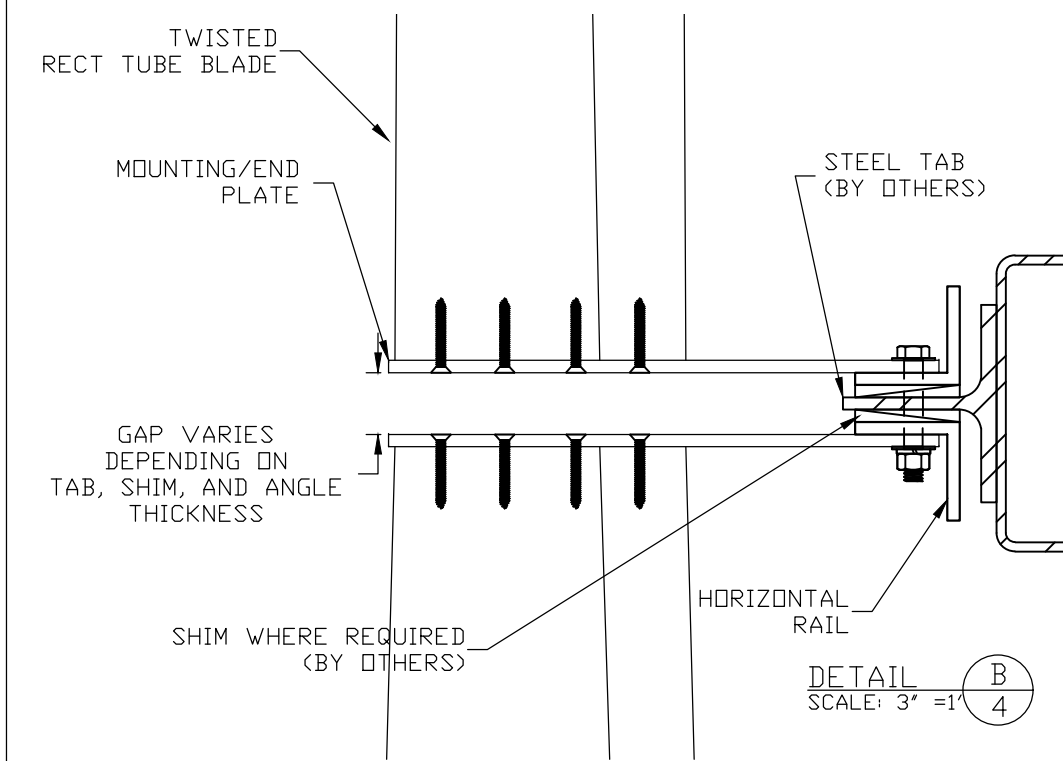
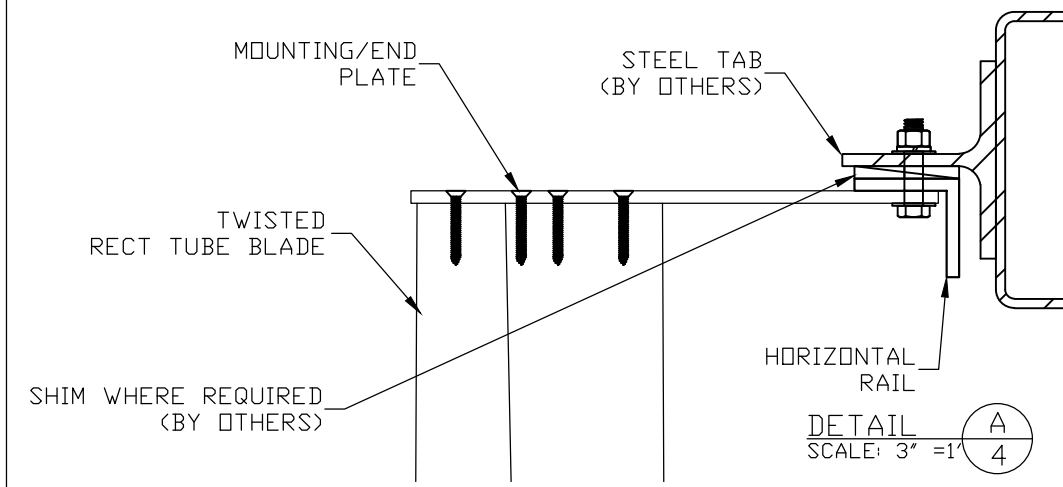
SECTION S2
35 DEG 2



SECTION S1
0 DEG 2



SCALE: 1 1/2" = 1'



REVISION: 02-13-19
DATE: 2-14-18
SHEET: 2 OF 3
DRAW NO: RD-

PROJECT: TWISTED SUNSHADE
TITLE: TUBE DETAILS
SCALE: 1 1/2" = 1'
DRW BY: J BLAKE

CS Construction Specialties™
49 MEEKER AVENUE, CRANFORD, NEW JERSEY
PHONE: 1-800-631-7379 / FAX: 908-272-5844