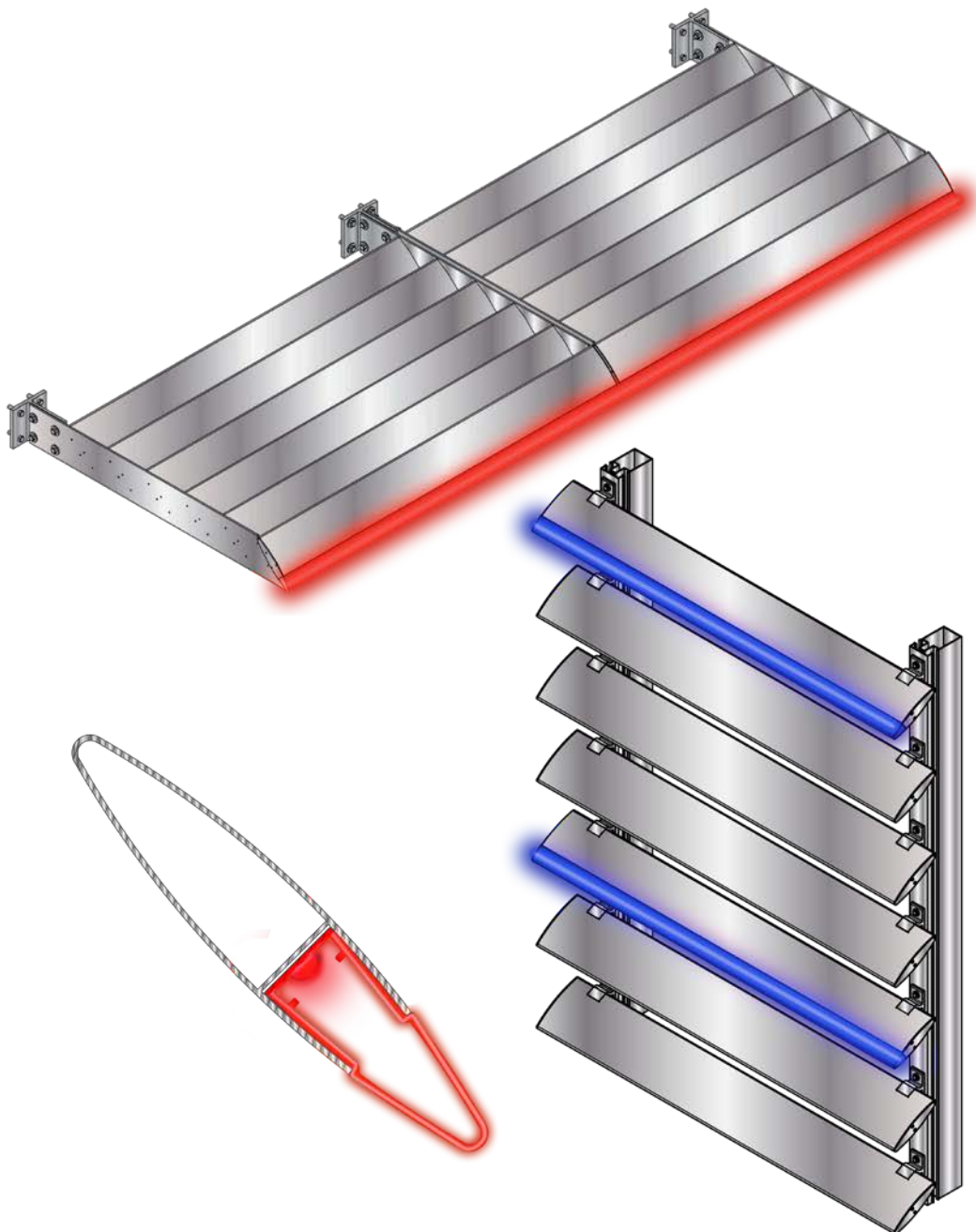


Airfoil Lux

SOLAR PROTECTION & NIGHT ILLUMINATION

Technical Manual

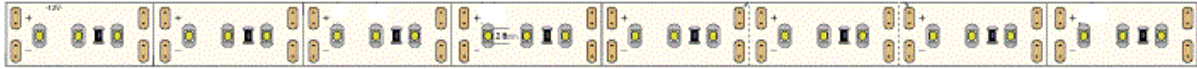
DESIGN PATENT N°765334-0001



Technical:

Note: CS only provides the fully wired blade and does not provide controls, drivers, or wiring. For wiring, please consult the on-site electrical engineer, lighting designer and/or contractor. CS does not recommend blades be wired in a series.

LEDs:



The LEDs are available in single colors as well as RGB and RGB + W.
Wattage ranges from 4.6W - 5.4W per foot depending on color.
Recommended maximum length in a series is 20'



Size of Cable in AWG (American Wire Gage):

- 18 - 2 outdoor rated for single color
- 18 - 4 outdoor rated for RGB
- 18 - 5 outdoor rated for RGB + W

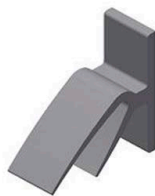
The blades are made of powder coated extruded aluminium profile. LED color choices are available as previously listed. Blades fixed by alligator brackets at 0°, 30°, 45° as shown below, or custom angles.



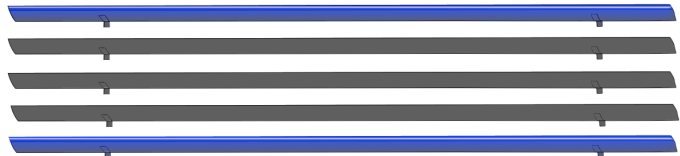
0 degree



30 degrees



45 degrees





LED Strip Replacement:

In case of LED failure, the end caps have been designed to be removable so the LED strip can be replaced.

1. Turn off the power going through the system.
2. Remove the metal blade end cap.
3. Unplug the LED strip and slide it out of the Airfoil blade.
4. Slide the new LED back into the blade and plug in.
5. Screw the end cap back into place and power the system on.

