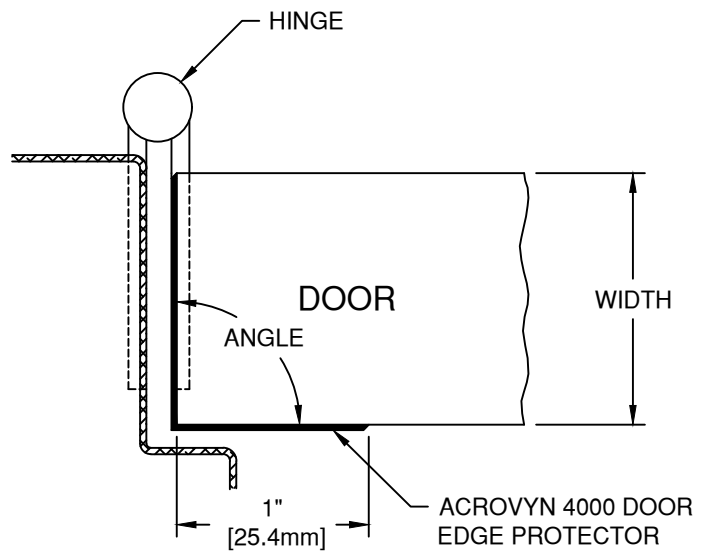
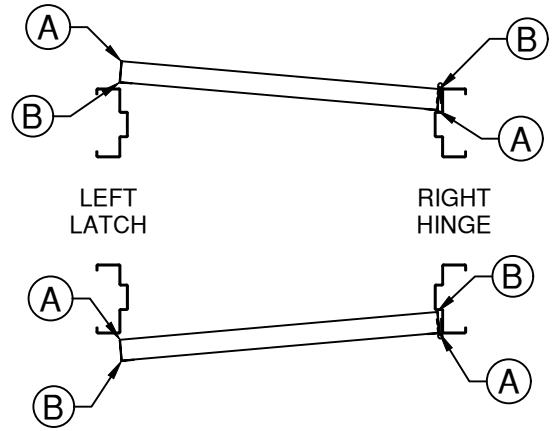
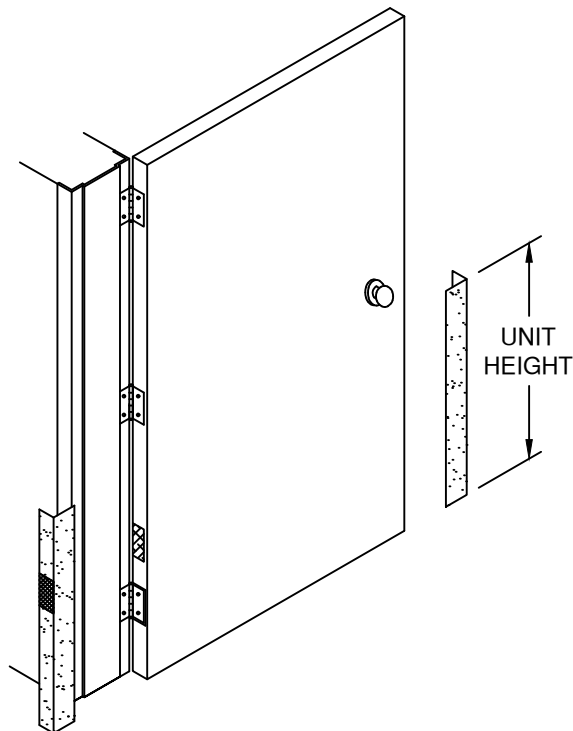


COLOR: _____
 DOOR FRAME PROTECTOR: _____
 COLOR TO BE SELECTED FROM ONE OF CS STANDARD COLORS.

LOCATION	UNITS REQ'D	UNIT HGT	UNIT WIDTH	ANGLE
A or B				


NOTES:

1. THE TERMS "LEFT LATCH" AND "RIGHT HINGE" ARE USED TO EXPLAIN ORIENTATION AND DETERMINE SIDE OF DOOR EDGE REQUIRED. EXAMPLE: DOOR LATCH SHOULD BE ON LEFT HAND SIDE, DOOR HINGE SHOULD BE ON RIGHT HAND SIDE.
2. FIRE RATING HEAT STAMP LOCATED ON FACE OF DOOR EDGE PROTECTOR.
3. ACROVYN DEP-LN DOOR EDGE PROTECTORS ARE AVAILABLE WITH ANGLES BETWEEN 80° AND 100°.



DEP-LN ACROVYN 4000

CONDITION	SPECIFIED FASTENER	QUANTITY	CS PART NUMBER
WOOD DOORS	DOUBLE SIDED TAPE	FACTORY APPLIED	90M183002
WOOD DOORS	FASTBOND 30 ADHESIVE	5 GALLON 1 GALLON 1 QUART	90M016001 90M014001 90M015001

 <p>Construction Specialties™ Hughesville, PA 800.233.8493 570.546.5941 Mississauga, ON 888.895.8955 905.274.3611 www.c-sgroup.com</p> <p>© Copyright 2019 Construction Specialties, Inc.</p>	PROJECT:	REVISION:
	JOB NO.:	F&F:
	CUSTOMER:	
	REP:	DATE:
	DRAWN BY:	SHEET NO: