

7/8" STAINLESS STEEL GRIDLINE 2 (STRAIGHT RAILS) WITH RECYCLED RUBBER INSERTS AND RECESSED LEVEL BASE FRAME / WITH DRAIN OPTION

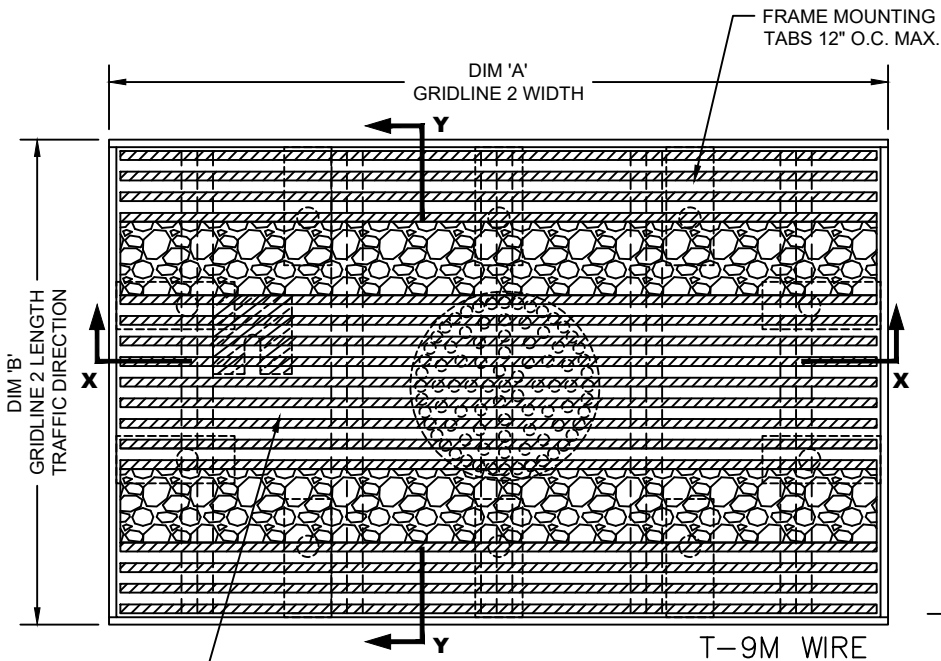
INSERT STYLE: RECYCLED RUBBER

INSERT COLOR: PLEASE ADVISE

CATALOG NUMBER: G6

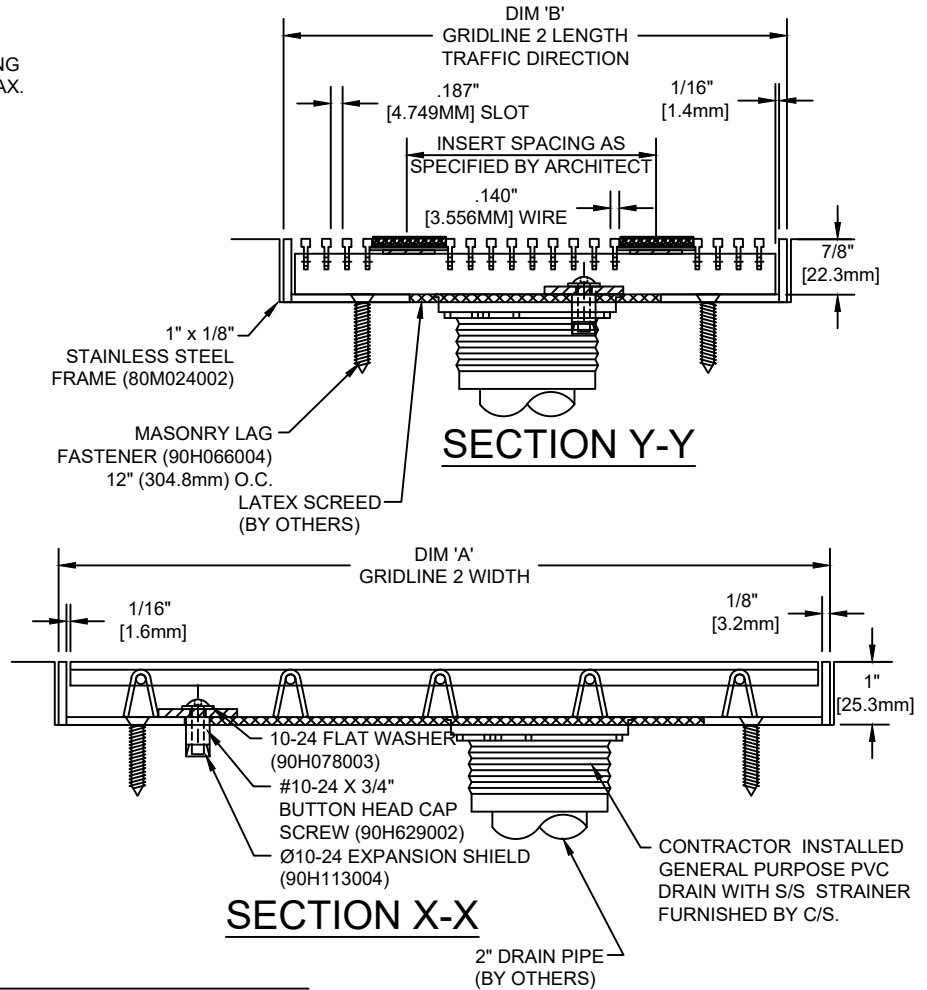
PART NUMBER:

|     |             |      |    |
|-----|-------------|------|----|
| NO. | REVISION    | DATE | BY |
|     |             |      |    |
| NO. | F&F RELEASE | DATE | BY |
|     |             |      |    |



1/8" X 1-1/4" X 1-1/4" HOLD-DOWN PLATE 1 AT EACH CORNER STARTING ON INSIDE OF OUTER MOST SUPPORT THEN SPACE 36" TO 48" O.C. SLOT SHOULD RUN PARALLEL TO SUPPORTS ALL FACING SAME DIRECTION.

**TYPICAL PLAN VIEW**



**NOTES:**

\* MECHANICALLY INTELLOCKED DESIGN TO ENSURE CORRECT WEIGHT BEARING PROPERTIES.  
 \*MAX. SINGLE GRID SIZE NOT TO EXCEED 10'-0" [3.048M] IN WIDTH (DIM 'A') OR 6'-0" [1.829M] IN LENGTH (DIM 'B')

\*GRIDS SHALL BE ABLE TO SUPPORT A 500LB ROLLING LOAD.  
 \* SURFACE WIRE SPACING PROVIDES A 57.7% EFFECTIVE OPEN AREA FOR DIRT AND MOISTURE REMOVAL.

| PLEASE VERIFY ALL | QTY | MARK # | LOCATION | MODEL | DIM 'A' WIDTH | DIM 'B' LENGTH | FRAME FINISH | REMARKS |
|-------------------|-----|--------|----------|-------|---------------|----------------|--------------|---------|
|                   |     |        |          |       |               |                |              |         |
|                   |     |        |          |       |               |                |              |         |
|                   |     |        |          |       |               |                |              |         |

**CS Construction Specialties**  
 6696 Route 405 Highway, Muncy PA 17756  
 (800) 233-8493 • Fax (570) 546-4692 • www.c-sgroup.com

|             |       |          |
|-------------|-------|----------|
| PROJECT:    |       |          |
| LOCATION:   |       |          |
| CONTRACTOR: |       |          |
| AGENT:      |       | SHT:     |
| DRG. BY:    | DATE: | JOB NO.: |