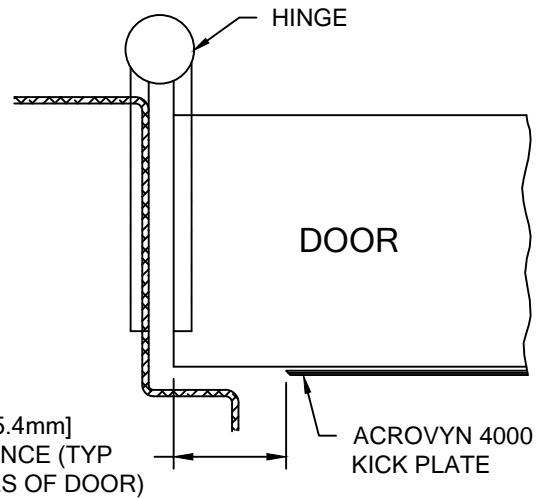
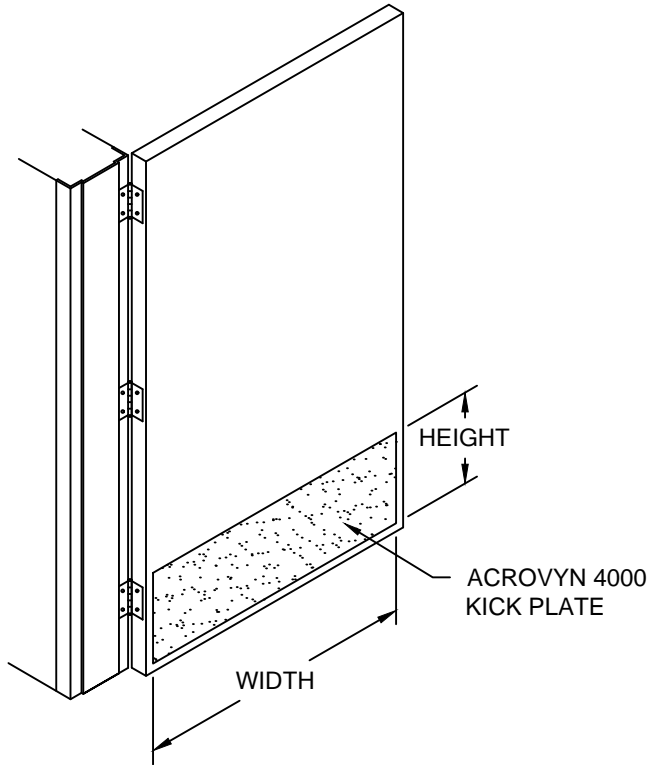


COLOR: _____
 KICK PLATE: _____
 COLOR TO BE SELECTED FROM ONE OF CS STANDARD COLORS.

UNITS REQ'D	HEIGHT	WIDTH

NOTES:

1. ACROVYN 4000 KICK PLATES ARE SUPPLIED STANDARD WITH BEVELED EDGES.
2. FIRE RATING HEAT STAMP LOCATED ON FACE OF KICK PLATE UNLESS OTHERWISE SPECIFIED.



KICK PLATES ACROVYN 4000

CONDITION	SPECIFIED FASTENER	QUANTITY	CS PART NUMBER
WOOD & METAL DOORS	DOUBLE SIDED TAPE	FACTORY APPLIED	90M181002
WOOD & METAL DOORS	FASTBOND 30 ADHESIVE	5 GALLON 1 GALLON 1 QUART	90M016001 90M014001 90M015001

PROJECT:	REVISION:
JOB NO.:	F&F:
CUSTOMER:	
REP:	DATE:
DRAWN BY:	SHEET NO:



Hughesville, PA | 800.233.8493 | 570.546.5941
 Mississauga, ON | 888.895.8955 | 905.274.3611
www.c-sgroup.com

© Copyright 2017 Construction Specialties, Inc.