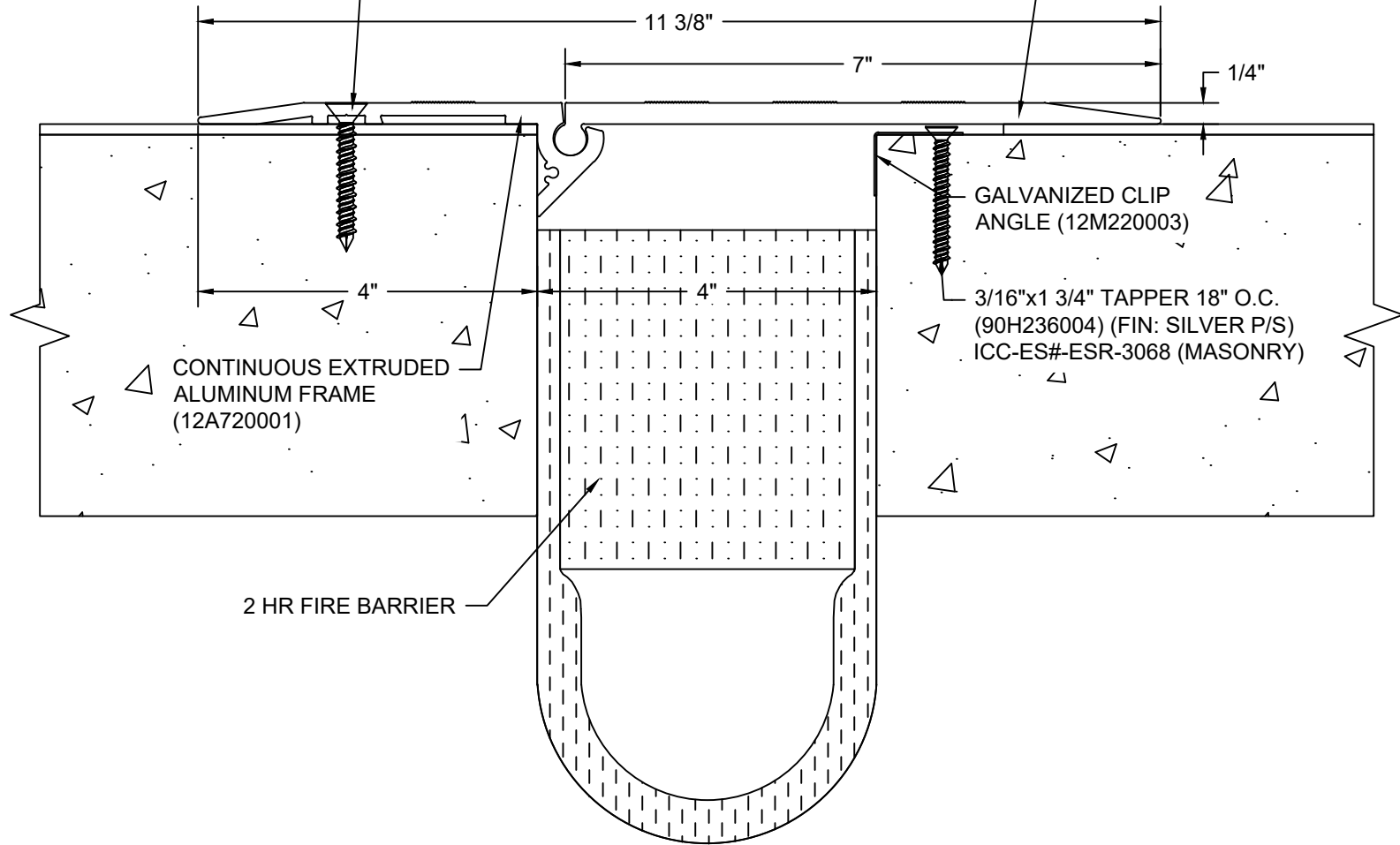


1/4"x1 3/4" TAPPER 18" O.C.  
(90H006004) (FIN: SILVER P/S)  
ICC-ES#-ESR-3068 (MASONRY)

CONTINUOUS EXTRUDED  
ALUMINUM COVER PLATE  
(12A723001)



## Model: RFD-400 W/ FB



**Construction Specialties®**

[www.c-sgroup.com](http://www.c-sgroup.com)

6696 Route 405 Highway, Muncy, PA 17756  
Phone: (800) 233-8493 / Fax: (570) 546-8022

895 Lakefront Promenade, Mississauga, Ontario L5E 2C2 Canada  
Phone: (888) 895-8955 / Fax: (905) 274-6241

© Copyright 2018 Construction Specialties, Inc.

PROJECT:	SCALE: NTS
CUSTOMER:	DATE:
LOCATION:	JOB NO.:
DRAWN BY:	SHEET NO.: