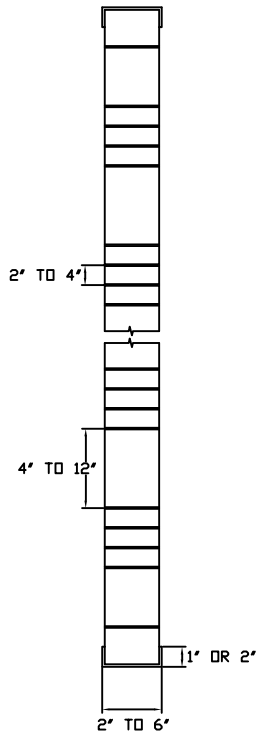
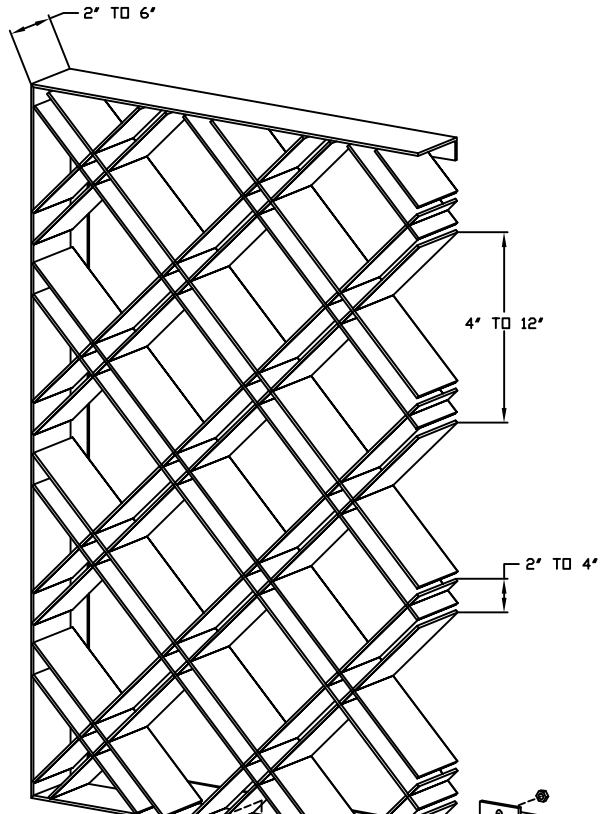


LATTICE



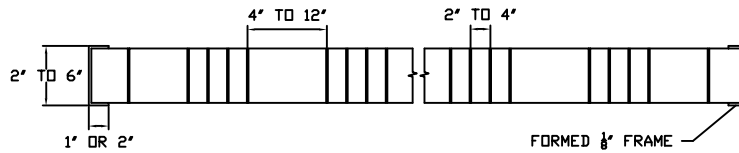
VERTICAL



LATTICE GRILLE WITH BAR FRAME INSTALLATION

LATTICE GRILLE WITH ANGLE FRAME INSTALLATION

LATTICE GRILLE WITH CHANNEL FRAME INSTALLATION



FORMED 1/2" FRAME

PLAN VIEW

Revisions				Drawn By	Job
No.		Date	By	Checked By	Contr.
				Date Approv	Arch't.
				Scale	Agent:
				Date	Sheet BF
					CONSTRUCTION SPECIALTIES, INC. 49 MEYER AVENUE, CRANFORD, NEW JERSEY
					Drawing No.

THIS DOCUMENT IS THE PROPERTY OF CONSTRUCTION SPECIALTIES, INC. AND CONTAINS CONFIDENTIAL PROPRIETARY INFORMATION THAT IS NOT TO BE DISCLOSED TO THIRD PARTIES AND IS NOT TO BE USED WITHOUT APPROVAL IN WRITING FROM CONSTRUCTION SPECIALTIES, INC.