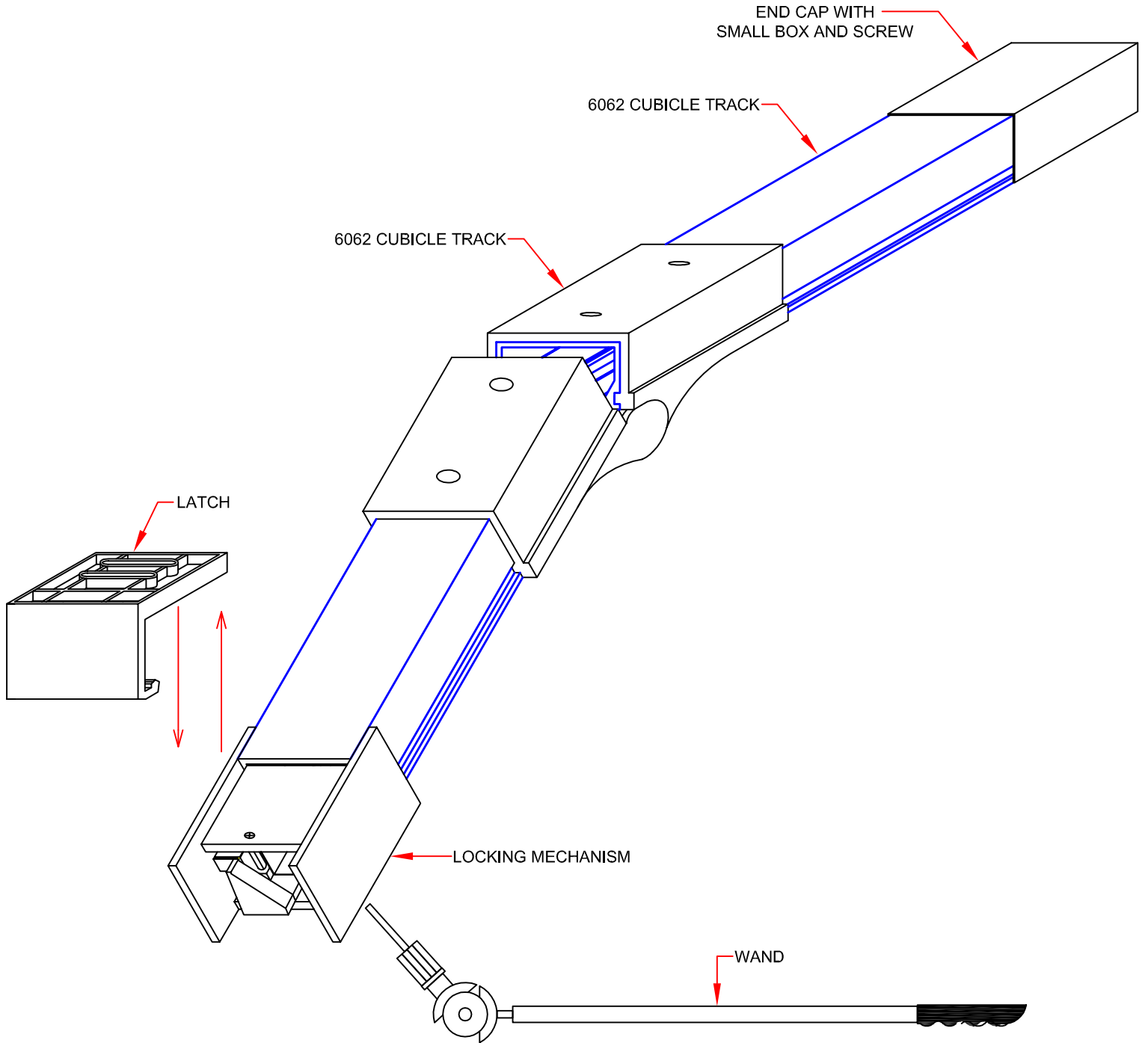
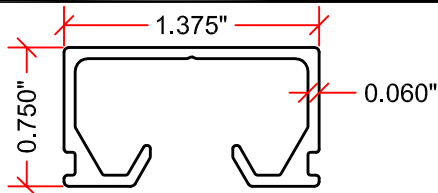


ASSEMBLY DETAIL FOR QWIK SWITCH™



6062
CUBICLE TRACK

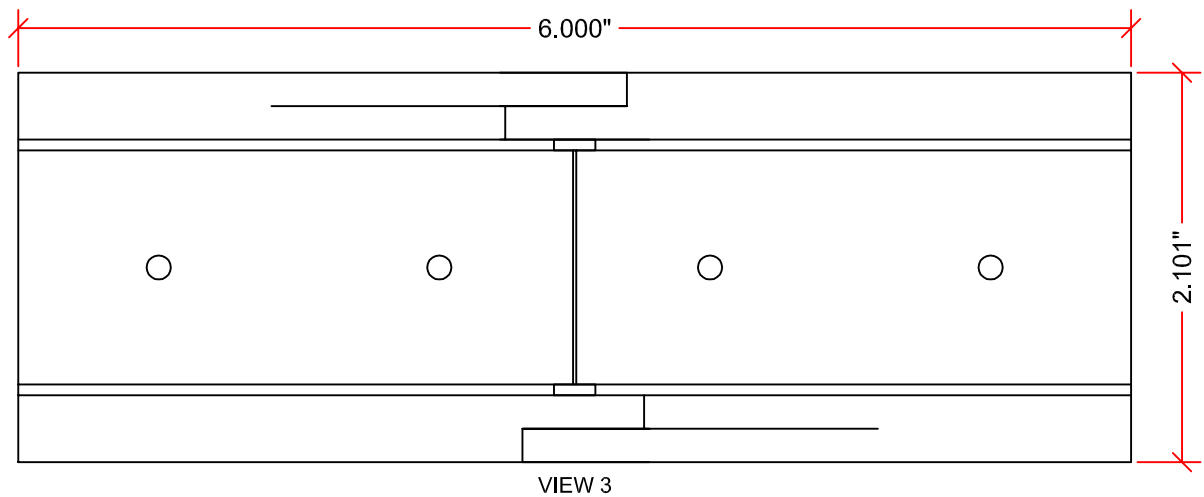
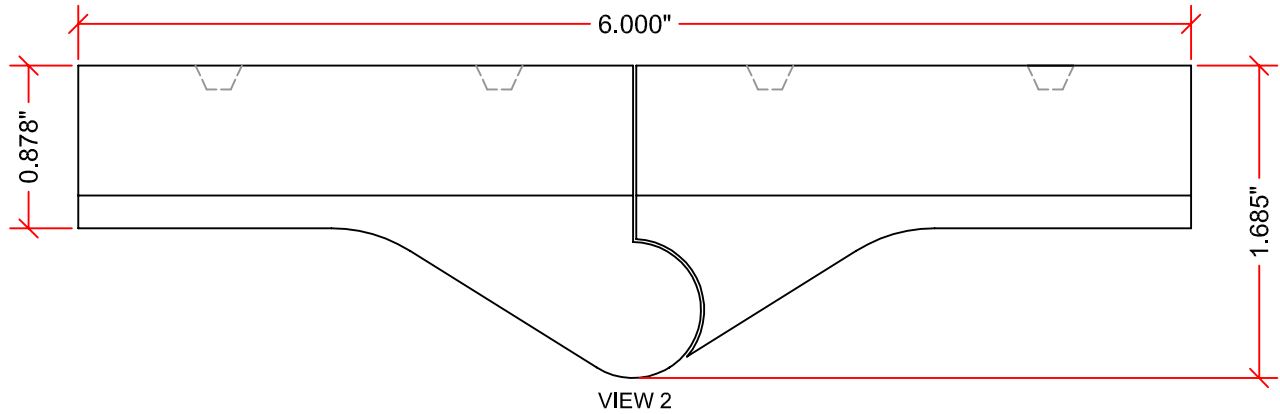
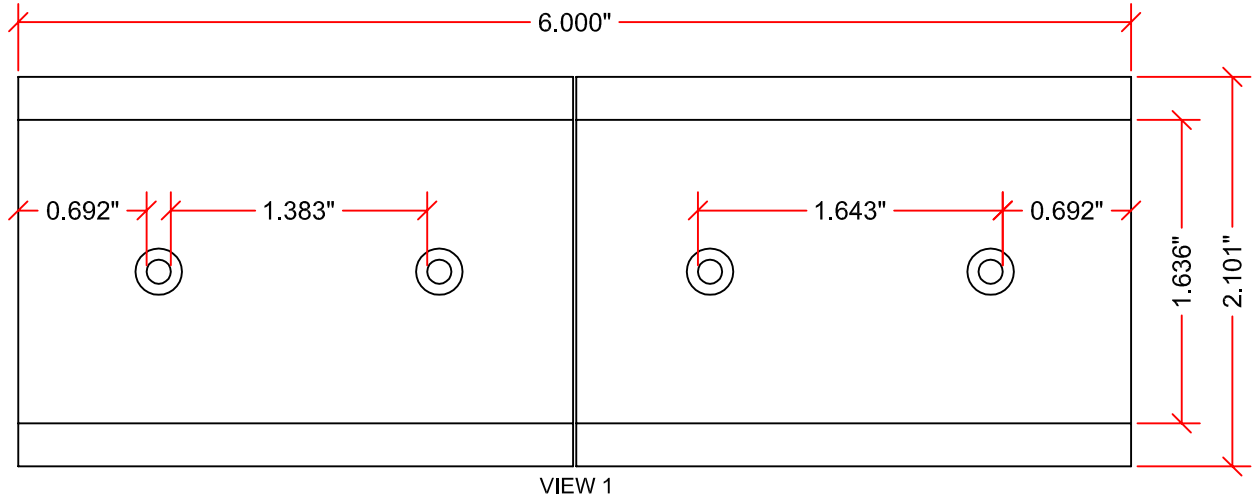


DRAWING BY: CDL

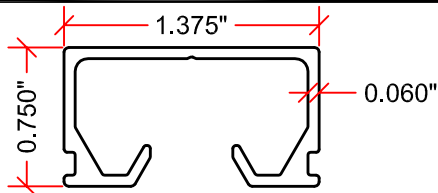
DATE: 2/6/2018

CS™ Cubicle Curtains

HINGE



6062
CUBICLE TRACK

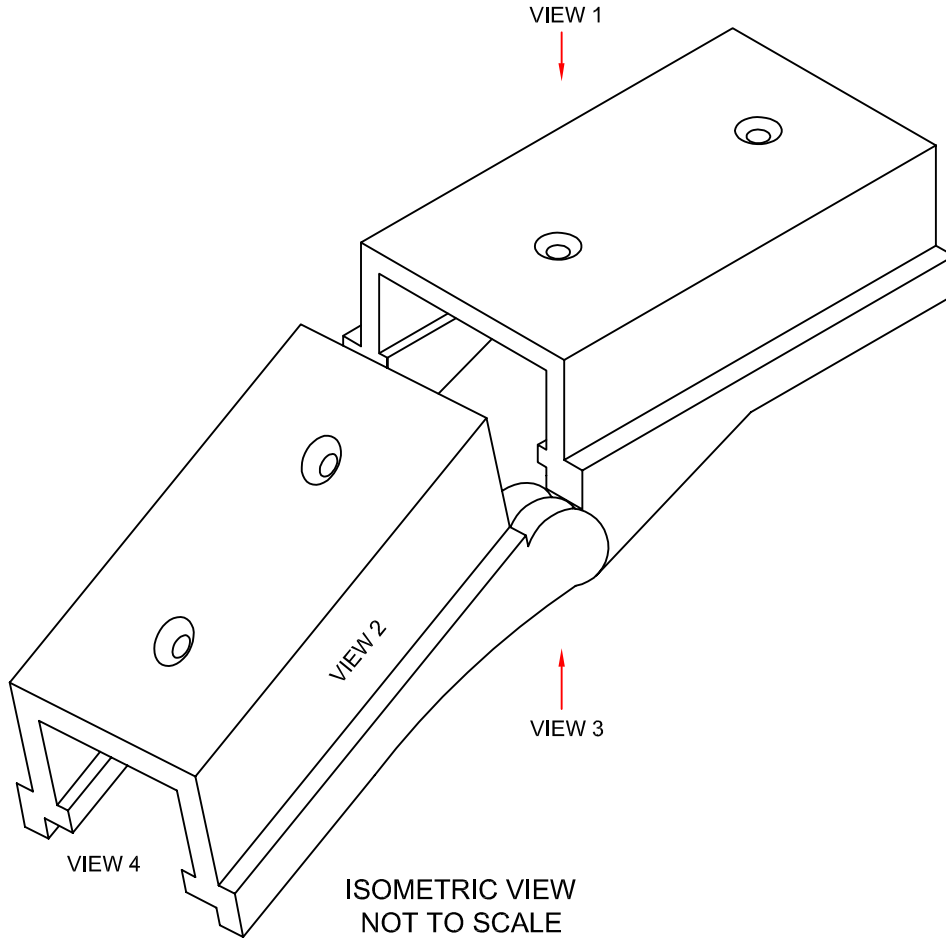
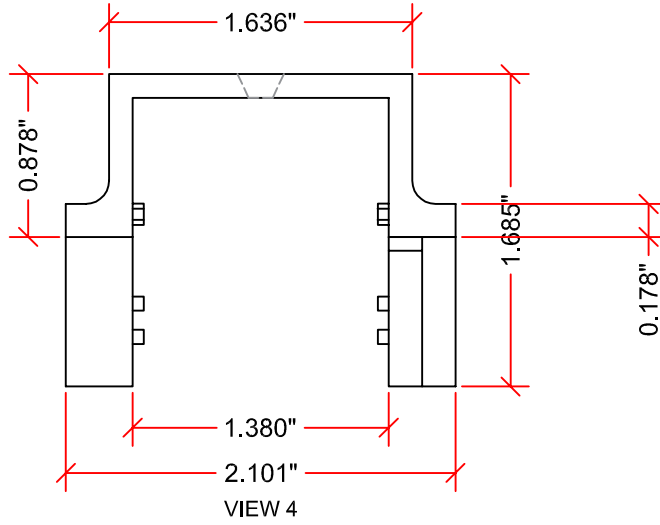


DRAWING BY: CDL

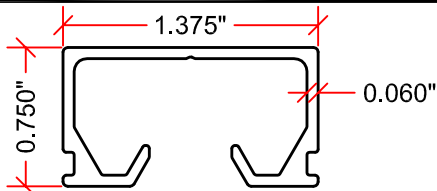
DATE: 2/6/2018

CS™ Cubicle Curtains

HINGE



6062
CUBICLE TRACK

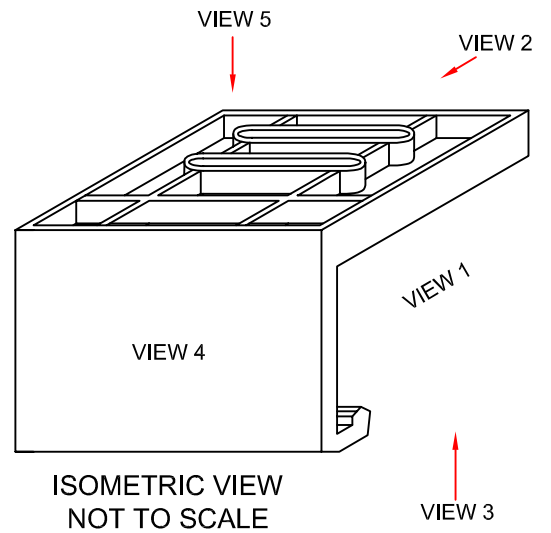
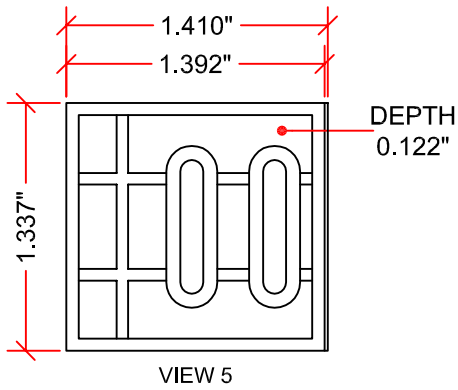
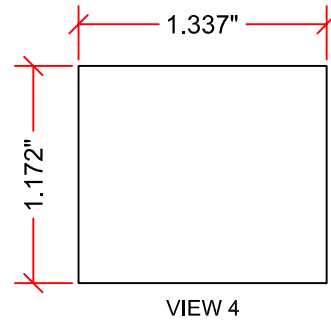
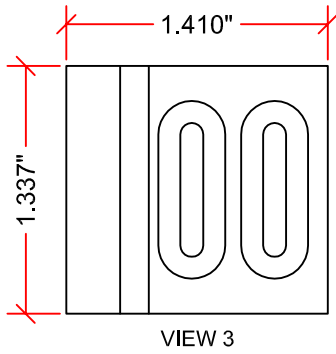
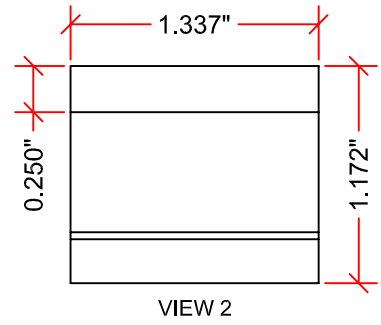
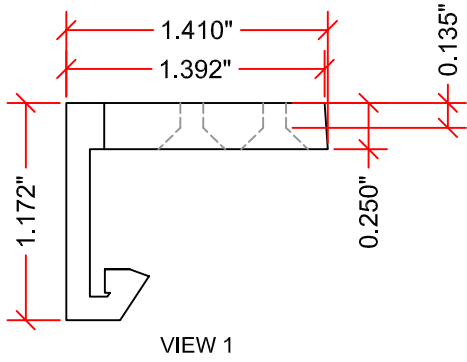


DRAWING BY: CDL

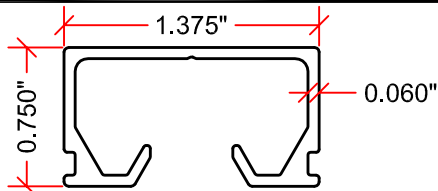
DATE: 2/6/2018

CS™ Cubicle Curtains

LATCH



6062
CUBICLE TRACK

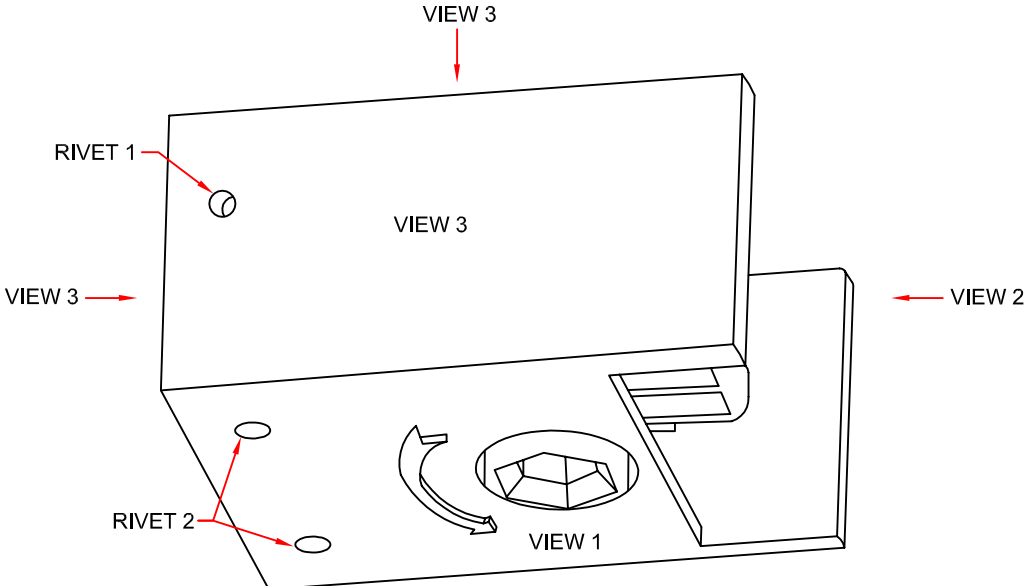
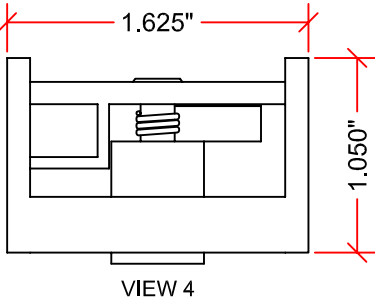
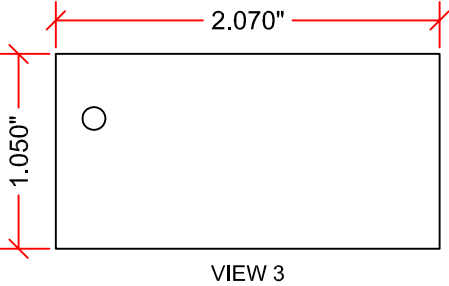
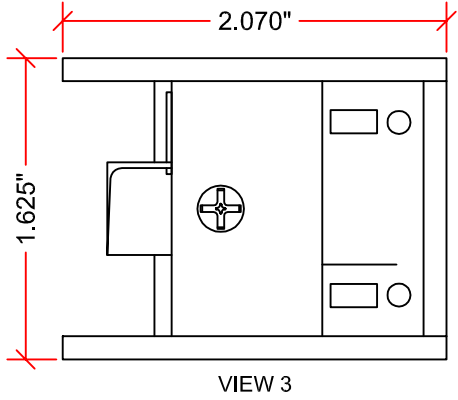
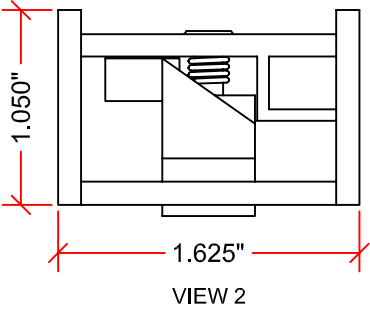
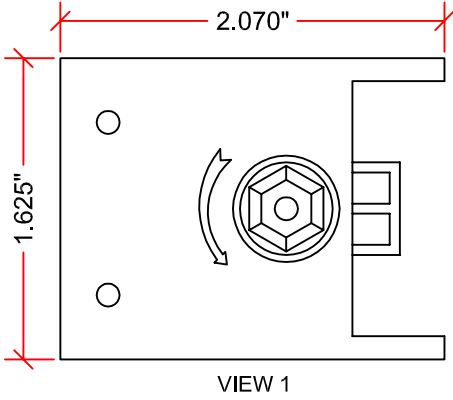


DRAWING BY: CDL

DATE: 2/6/2018

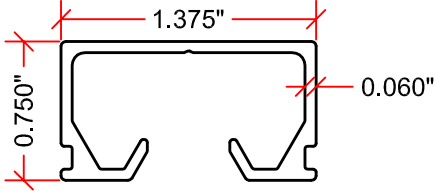
CS™ Cubicle Curtains

LOCKING MECHANISM



ISOMETRIC VIEW
NOT TO SCALE

6062
CUBICLE TRACK

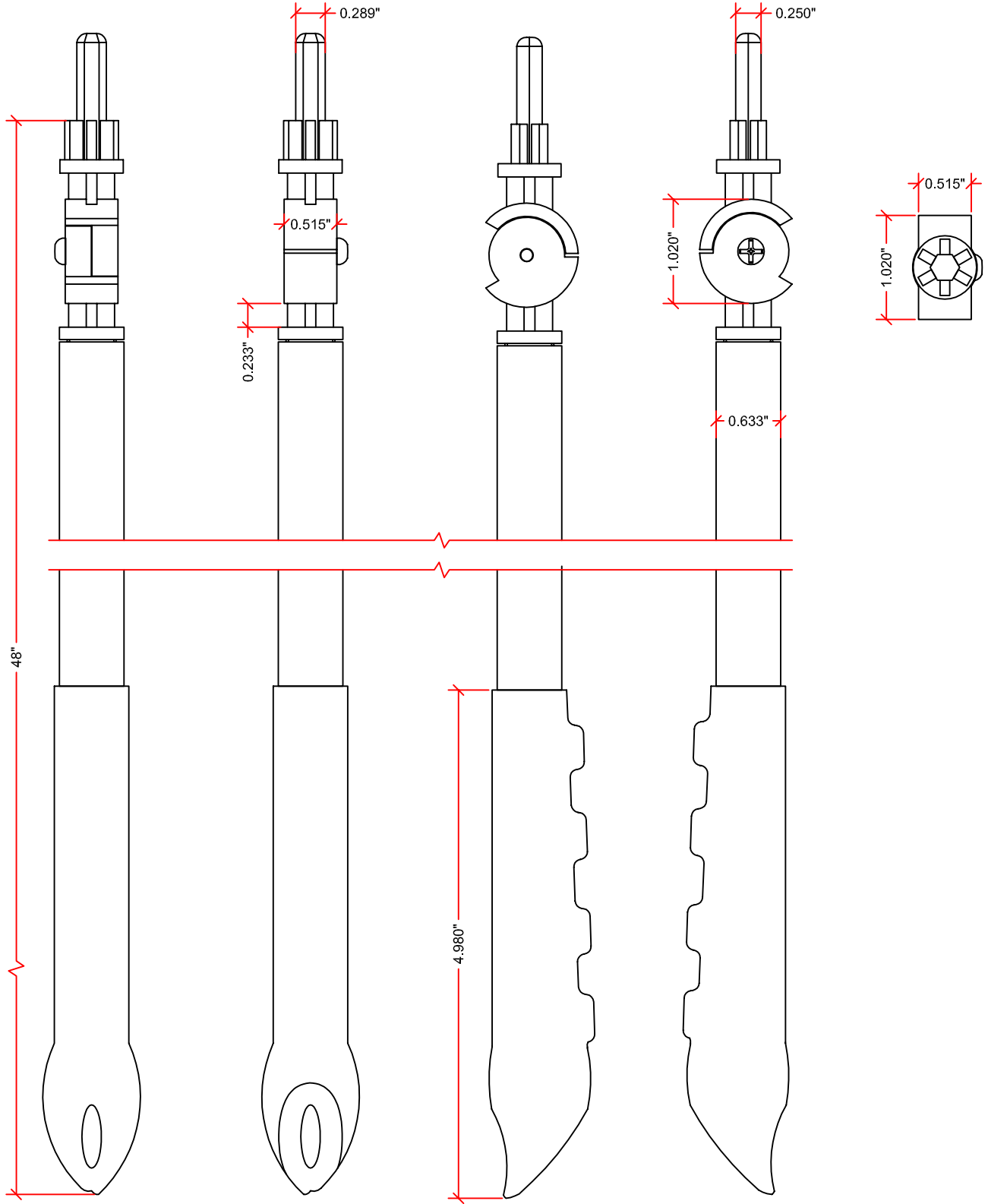


DRAWING BY: CDL

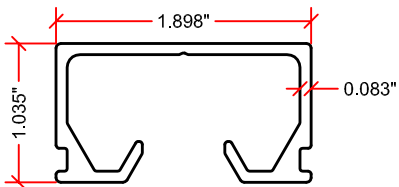
DATE: 2/6/2018



WAND



6062
CUBICLE TRACK



DRAWING BY: CDL

DATE: 2/6/2018

CS™ Cubicle Curtains